

## Pneumatic actuator for RTC tool changer - size 150 - Series RTC

Product code: A-RTC-150

Datasheet creation date: 07/03/2025 16:08

Check the most updated document online [click here](#)

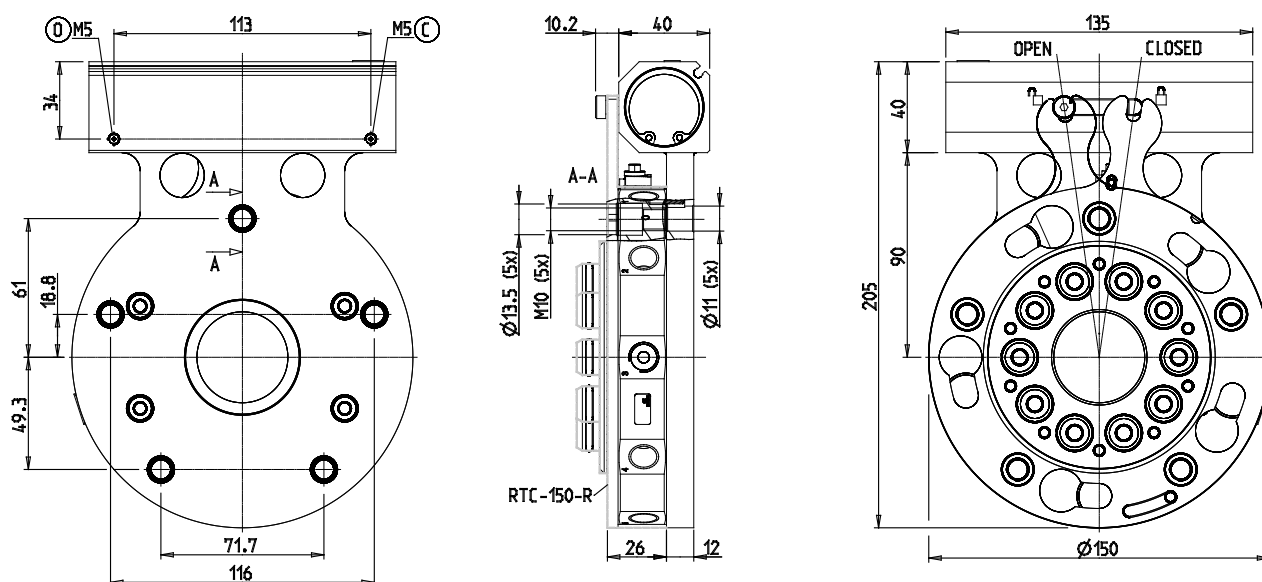


### ■ TECHNICAL DATA

Mod.	A-RTC-150
------	-----------

## Pneumatic actuator for RTC tool changer - size 150 - Series RTC

Product code: A-RTC-150



### DIMENSIONS

Mod.	A-RTC-150
------	-----------