

3/2-way solenoid valve - Mod. A131

Product code: A131-AC2

Datasheet creation date: 19/05/2026 16:54

Check the most updated document online [click here](#)

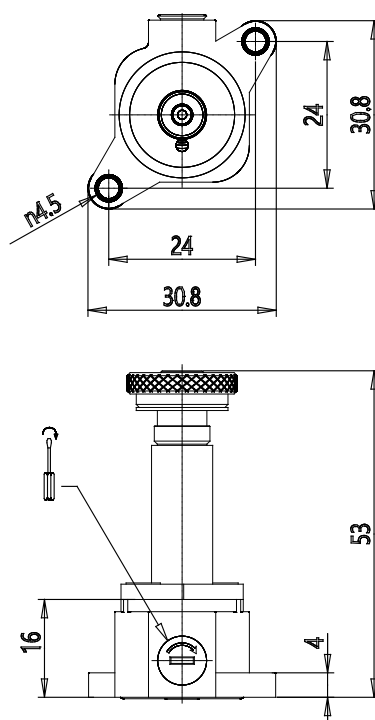


TECHNICAL DATA

Mod.	A131-AC2
------	----------

3/2-way solenoid valve - Mod. A131

Product code: A131-AC2



DIMENSIONS

Interface	OR rotatable
Function	3/2 N.C.
Orifice (Ø mm)	1.5
Kv(L/min)	1.10