

3/2-way solenoid valve - Mod. A53

Product code: A531-BC2

Datasheet creation date: 19/05/2026 08:47

Check the most updated document online [click here](#)

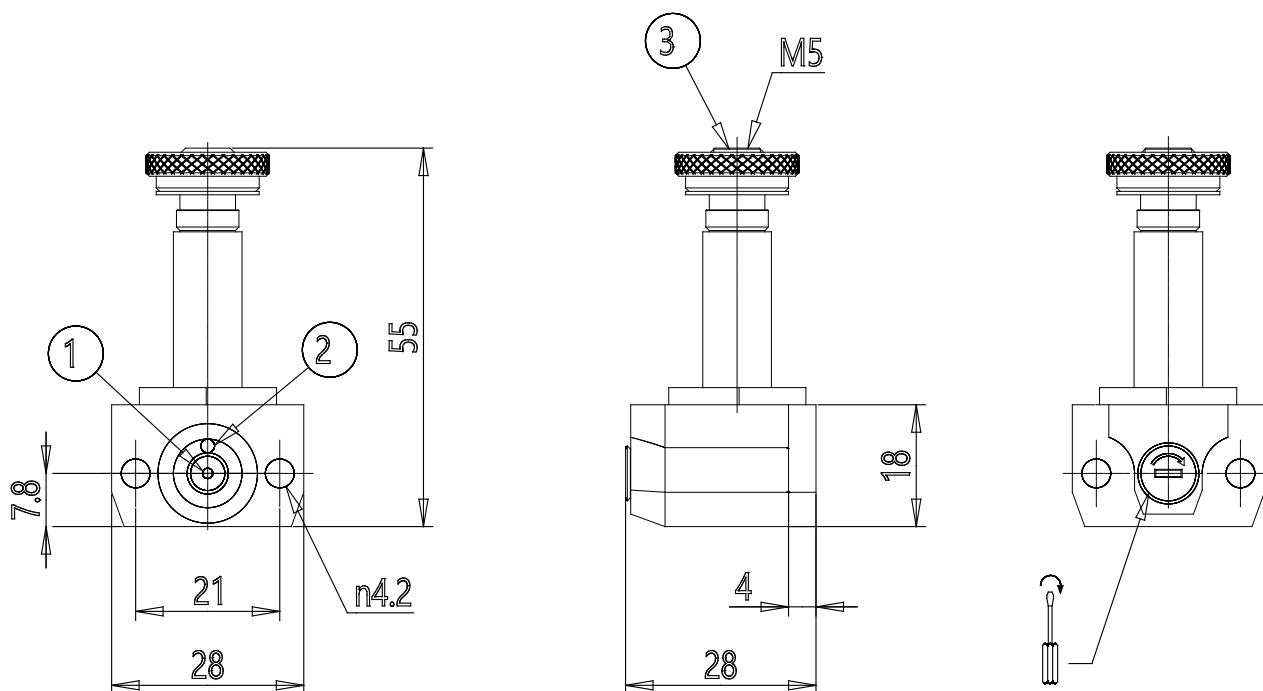


TECHNICAL DATA

Mod.	A531-BC2
------	----------

3/2-way solenoid valve - Mod. A53

Product code: A531-BC2



DIMENSIONS

Mod.	A531-BC2
------	----------