

## 3/2-way solenoid valve Mod. A63 - Mod. A63

Product code: A631-AC2

Datasheet creation date: 19/05/2026 16:53

Check the most updated document online [click here](#)

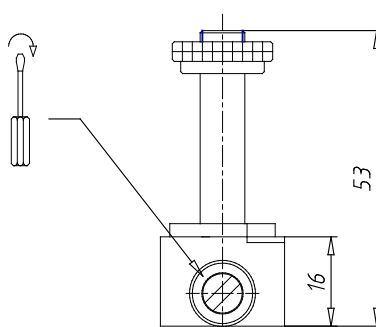
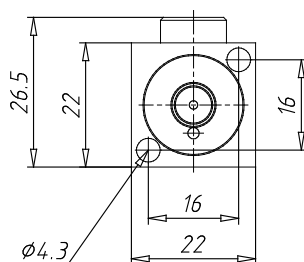


### TECHNICAL DATA

Mod.	A631-AC2
------	----------

## 3/2-way solenoid valve Mod. A63 - Mod. A63

Product code: A631-AC2



### DIMENSIONS

<b>Interface</b>	OR
<b>Function</b>	3/2 N.C.
<b>Orifice (<math>\varnothing</math> mm)</b>	1.2
<b>Kv(L/min)</b>	0.62