

## Solenoids for solenoid valves - Mod. A8D

Product code: A8D

Datasheet creation date: 10/03/2025 10:53

Check the most updated document online [click here](#)

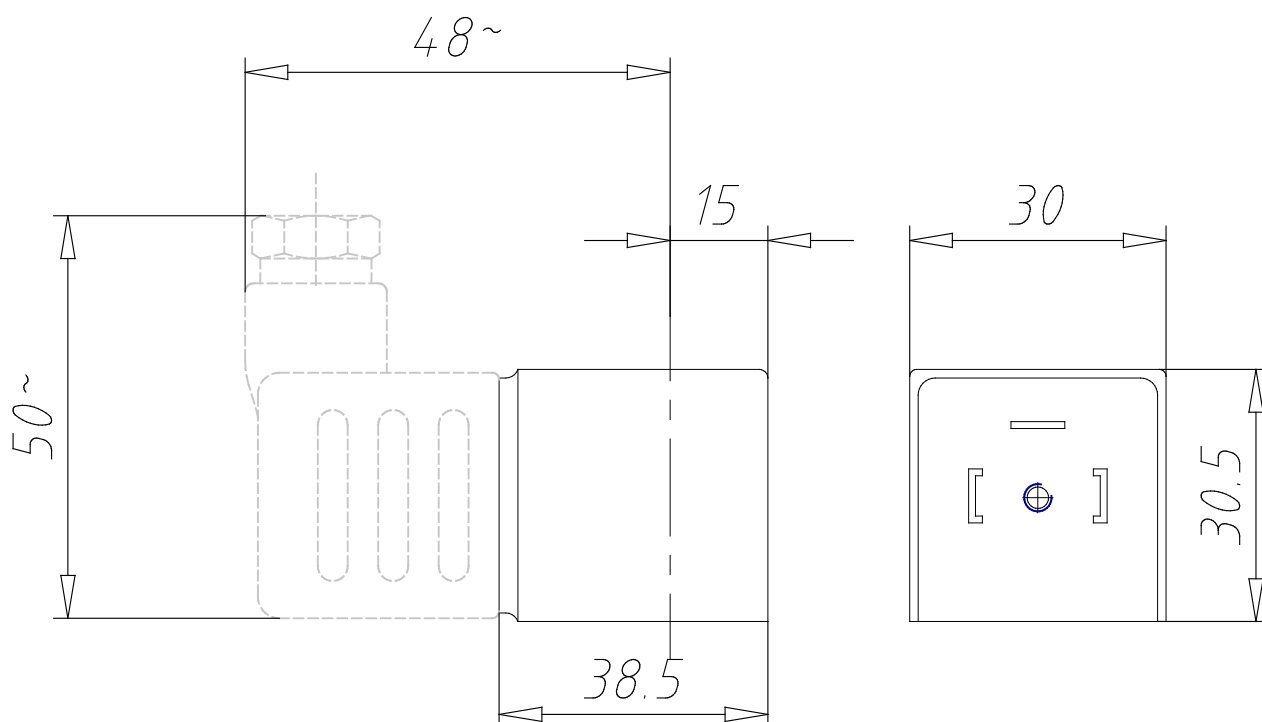


### TECHNICAL DATA

<b>Mod.</b>	A8D
<b>Voltage (V)</b>	110
<b>Frequency (Hz)</b>	50 / 60
<b>Power absorption</b>	5 VA

## Solenoids for solenoid valves - Mod. A80

Product code: A8D



### **DIMENSIONS**

<b>Mod.</b>	A8D
<b>Voltage (V)</b>	110
<b>Frequency (Hz)</b>	50 / 60
<b>Power absorption</b>	5 VA