

## 3/2-way solenoid valve - Mod. AA3

Product code: AA31-0C2

Datasheet creation date: 19/05/2026 08:46

Check the most updated document online [click here](#)

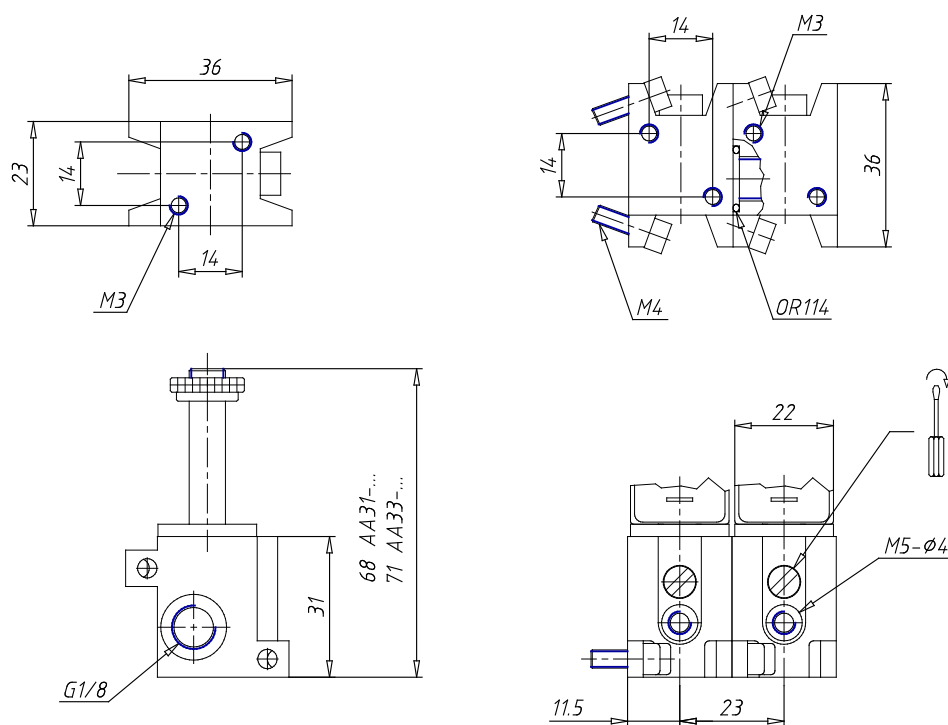


### TECHNICAL DATA

|      |          |
|------|----------|
| Mod. | AA31-0C2 |
|------|----------|

## 3/2-way solenoid valve - Mod. AA3

Product code: AA31-0C2



### DIMENSIONS

|                           |          |
|---------------------------|----------|
| <b>Inlet / outlet</b>     | G1/8 M5  |
| <b>Function</b>           | 3/2 N.C. |
| <b>Orifice (Ø mm)</b>     | 1.5      |
| <b>Int. Man. Bistable</b> | Si       |
| <b>Kv(L/min) (NI/mm)</b>  | 0.85     |