

## 3/2-way solenoid valve - Mod. AA3

Product code: AA31-CC2

Datasheet creation date: 19/05/2026 08:45

Check the most updated document online [click here](#)

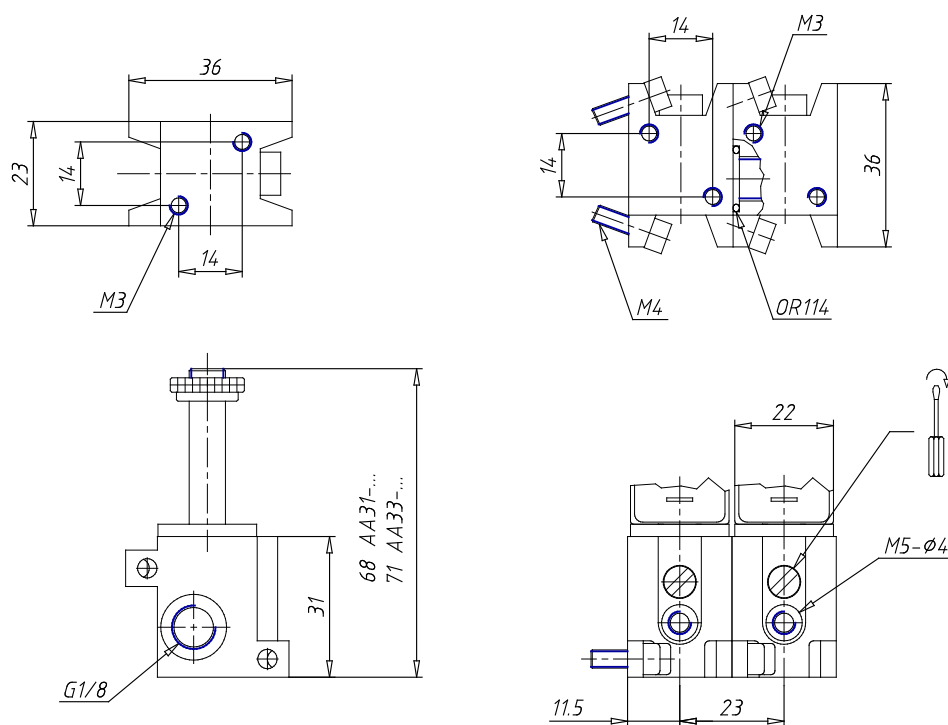


### TECHNICAL DATA

Mod.	AA31-CC2
------	----------

## 3/2-way solenoid valve - Mod. AA3

Product code: AA31-CC2



### DIMENSIONS

<b>Inlet / outlet</b>	G1/8 Ø4
<b>Function</b>	3/2 N.C.
<b>Orifice (Ø mm)</b>	1.5
<b>Int. Man. Bistable</b>	Si
<b>Kv(L/min) (NI/mm)</b>	0.85