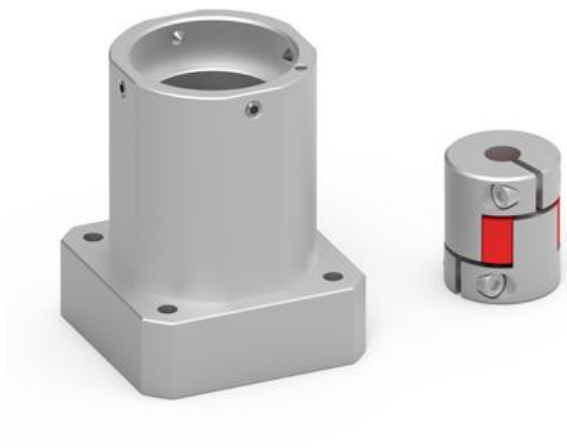


Kit for axial connection - Mod. AM 3E

Product code: AM-3E-32-0100

Datasheet creation date: 07/03/2025 15:38

Check the most updated document online [click here](#)

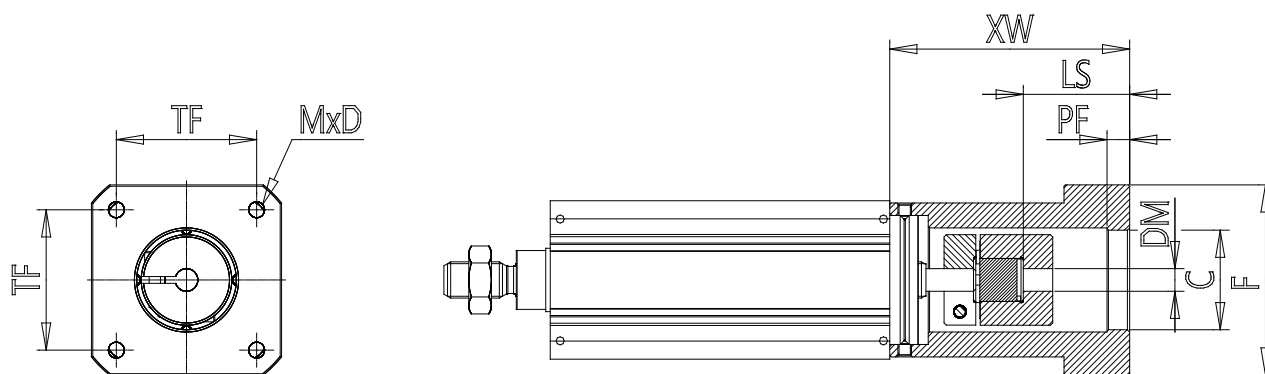


TECHNICAL DATA

Mod.	AM-3E-32-0100
Motor	MTB-010-...
Protection	IP40
Weight (g)	144

Kit for axial connection - Mod. AM 3E

Product code: AM-3E-32-0100



DIMENSIONS

C (mm)	30.0
DM (mm)	8.0
TF (mm)	31.80
MxD	M3x9
MX	3.0
DX	9.0
PF (mm)	5
F (mm)	41.5
LS (mm)	54
XW (mm)	54
Nominal torque (Nm)	5
Maximum torque (Nm)	10
J (kgmm²)	0.85