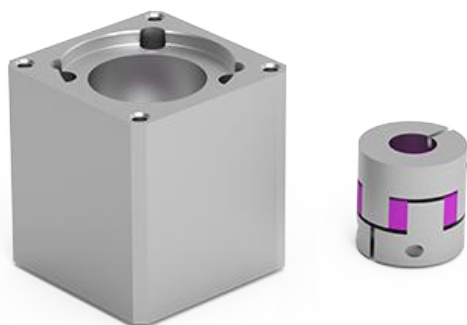


## kit for axial connection - Mod. AM

Product code: AM-5E-65-0400

Datasheet creation date: 07/03/2025 15:39

Check the most updated document online [click here](#)

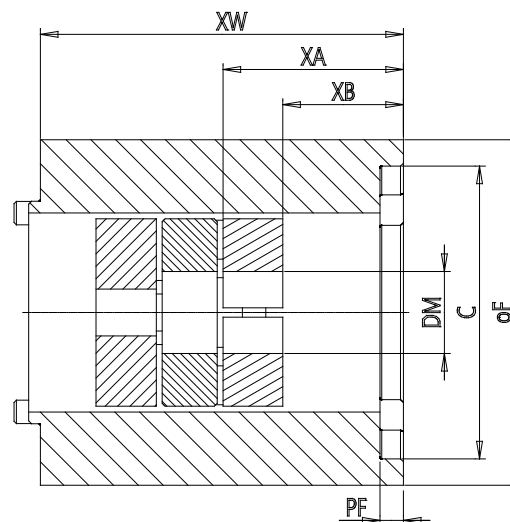
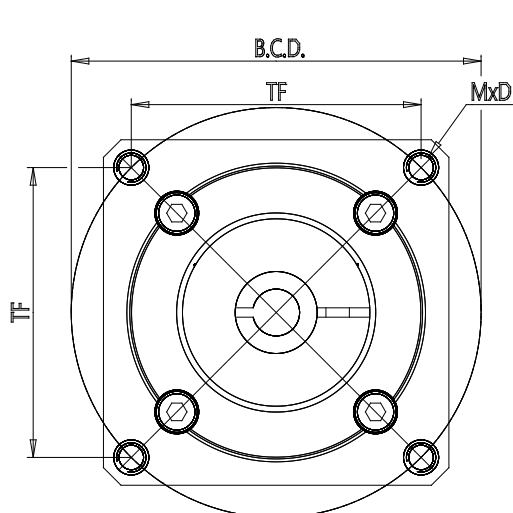


### TECHNICAL DATA

<b>Mod.</b>	AM-5E-65-0400
<b>Size (mm)</b>	65
<b>Protection</b>	IP40
<b>Weight (g)</b>	480
<b>Nominal torque (Nm)</b>	12.5
<b>Maximum torque (Nm)</b>	25
<b>Efficiency</b>	0.78

## kit for axial connection - Mod. AM

Product code: AM-5E-65-0400



### DIMENSIONS

C (mm)	50.0
DM (mm)	14
BCD (mm)	70
TF (mm)	0.0
MxD (mm)	M5x7.5
PF (mm)	4.0
F (mm)	59
XA (mm)	20.0
XB (mm)	31.0
XW (mm)	62.0
J (Kg*mm <sup>2</sup> )	3