

Proportional valve - 16mm - Series AP

Product code: AP-6215-LR2-GPH

Datasheet creation date: 10/03/2025 11:07

Check the most updated document online [click here](#)

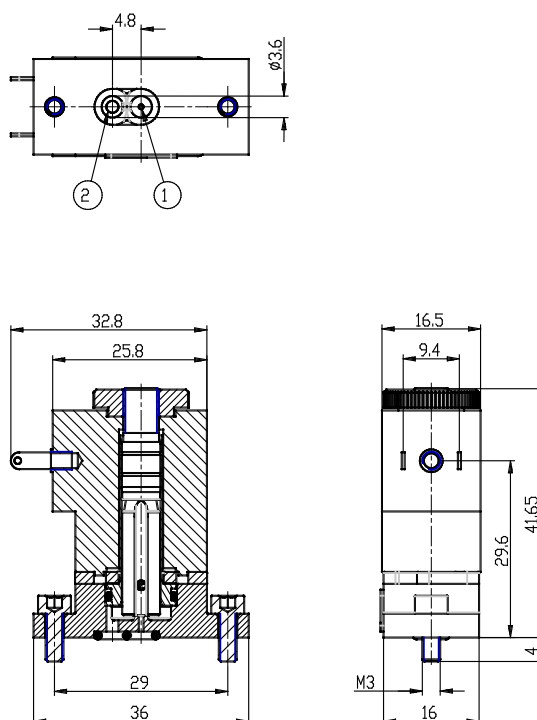


TECHNICAL DATA

Series	AP
Body	6= size 16mm
Number of ways	2= 2way
Function	1 = NC
Connection	5 = with lower flanges
Nominal diameter (mm)	L= Ø 1.6 mm
Seals material	R= NBR
Body material	2= BRASS
Encapsulating material	G= PA
Dimensions of the solenoid (mm)	P= 16x26 DIN EN 175301-803-C
Solenoid voltage (V DC)	H= 12 V DC 3W
Coil orientation	= fastons opposite to pneumatic ports/same side of the outlet
Version	= non-certified version
Kv (l/min)	0.780
Max pressure (bar)	4.000
Max flow (NI/min)	52.000

Proportional valve - 16mm - Series AP

Product code: AP-6215-LR2-GPH



DIMENSIONS

Series	AP
Body	6= size 16mm
Number of ways	2= 2way
Function	1 = NC
Connection	5 = with lower flanges
Nominal diameter (mm)	L= Ø 1.6 mm
Seals material	R= NBR
Body material	2= BRASS
Encapsulating material	G= PA
Dimensions of the solenoid (mm)	P= 16x26 DIN EN 175301-803-C
Solenoid voltage (V DC)	H= 12 V DC 3W
Coil orientation	= fastons opposite to pneumatic ports/same side of the outlet
Version	= non-certified version
Kv (l/min)	0.780
Max pressure (bar)	4.000
Max flow (Nl/min)	52.000