

Proportional valve - 16mm - Series AP

Product code: AP-621L-HW3-GP7-OX2

Datasheet creation date: 20/05/2026 04:21

Check the most updated document online [click here](#)

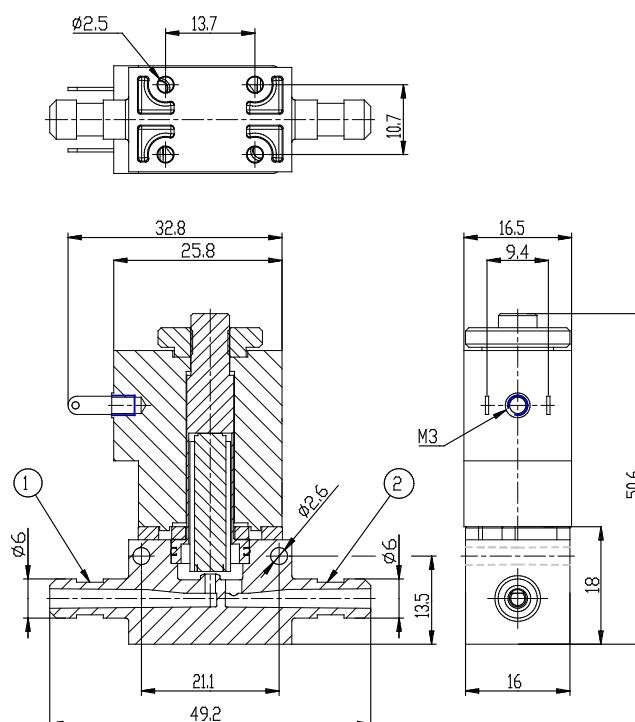


TECHNICAL DATA

Series	AP
Body	6= size 16mm
Number of ways	2= 2way
Function	1 = NC
Connection	L= barb fitting (only PVDF body)
Nominal diameter (mm)	H= Ø 1.2 mm
Seals material	W = FKM
Body material	3= PVDF
Encapsulating material	G= PA
Dimensions of the solenoid (mm)	P= 16x26 DIN EN 175301-803-C
Solenoid voltage (V DC)	7= 24 V DC 3W
Coil orientation	= fastons opposite to pneumatic ports/same side of the outlet
Use with oxygen	OX2 = for use with oxygen – cleanliness level according to ASTM G93-03 Standard Level B
Kv (l/min)	0.570
Max pressure (bar)	6.000
Max flow (NI/min)	53.000

Proportional valve - 16mm - Series AP

Product code: AP-621L-HW3-GP7-OX2



DIMENSIONS

Series	AP
Body	6= size 16mm
Number of ways	2= 2way
Function	1 = NC
Connection	L= barb fitting (only PVDF body)
Nominal diameter (mm)	H= \varnothing 1.2 mm
Seals material	W = FKM
Body material	3= PVDF
Encapsulating material	G= PA
Dimensions of the solenoid (mm)	P= 16x26 DIN EN 175301-803-C
Solenoid voltage (V DC)	7= 24 V DC 3W
Coil orientation	= fastons opposite to pneumatic ports/same side of the outlet
Use with oxygen	OX2 = for use with oxygen – cleanliness level according to ASTM G93-03 Standard Level B
Kv (l/min)	0.570
Max pressure (bar)	6.000
Max flow (Nl/min)	53.000