

## Proportional valve - 16mm - Series AP

Product code: AP-621L-LR3-GP7

Datasheet creation date: 10/03/2025 11:07

Check the most updated document online [click here](#)

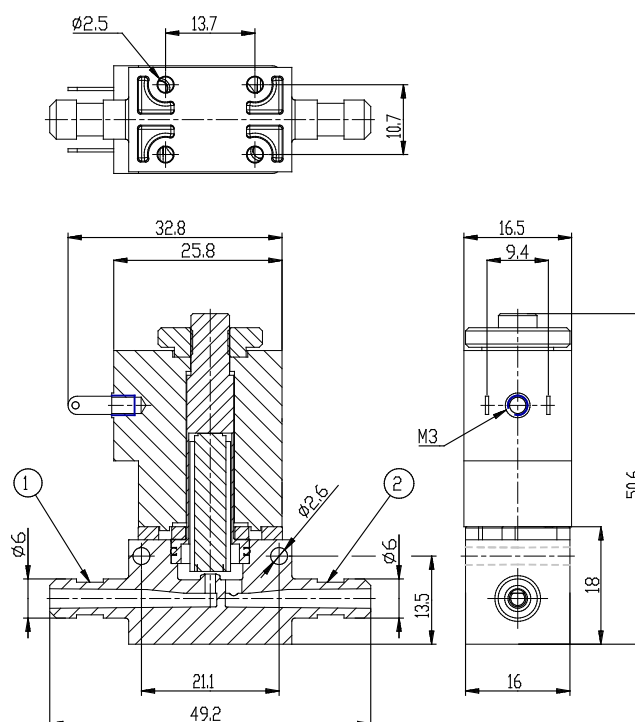


### TECHNICAL DATA

<b>Series</b>	AP
<b>Body</b>	6= size 16mm
<b>Number of ways</b>	2= 2way
<b>Function</b>	1 = NC
<b>Connection</b>	L= barb fitting (only PVDF body)
<b>Nominal diameter (mm)</b>	L= Ø 1.6 mm
<b>Seals material</b>	R= NBR
<b>Body material</b>	3= PVDF
<b>Encapsulating material</b>	G= PA
<b>Dimensions of the solenoid (mm)</b>	P= 16x26 DIN EN 175301-803-C
<b>Solenoid voltage (V DC)</b>	7= 24 V DC 3W
<b>Coil orientation</b>	= fastons opposite to pneumatic ports/same side of the outlet
<b>Version</b>	= non-certified version
<b>Kv (l/min)</b>	0.780
<b>Max pressure (bar)</b>	4.000
<b>Max flow (Nl/min)</b>	52.000

## Proportional valve - 16mm - Series AP

Product code: AP-621L-LR3-GP7



### DIMENSIONS

<b>Series</b>	AP
<b>Body</b>	6= size 16mm
<b>Number of ways</b>	2= 2way
<b>Function</b>	1 = NC
<b>Connection</b>	L= barb fitting (only PVDF body)
<b>Nominal diameter (mm)</b>	L= $\phi$ 1.6 mm
<b>Seals material</b>	R= NBR
<b>Body material</b>	3= PVDF
<b>Encapsulating material</b>	G= PA
<b>Dimensions of the solenoid (mm)</b>	P= 16x26 DIN EN 175301-803-C
<b>Solenoid voltage (V DC)</b>	7= 24 V DC 3W
<b>Coil orientation</b>	= fastons opposite to pneumatic ports/same side of the outlet
<b>Version</b>	= non-certified version
<b>Kv (l/min)</b>	0.780
<b>Max pressure (bar)</b>	4.000
<b>Max flow (Nl/min)</b>	52.000