

kit for axial connection - Mod. AR

Product code: AR-6E-100-R120P

Datasheet creation date: 07/03/2025 15:44

Check the most updated document online [click here](#)

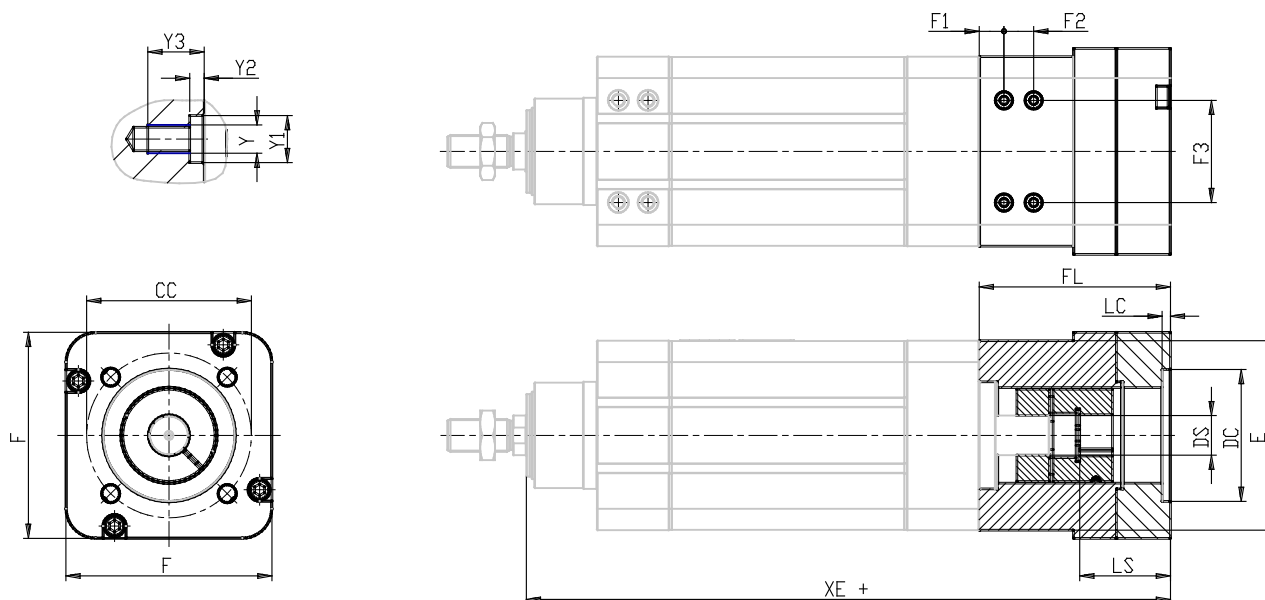


TECHNICAL DATA

Mod.	AR-6E-100-R120P
Gearbox	GB-120-...

kit for axial connection - Mod. AR

Product code: AR-6E-100-R120P



DIMENSIONS

XE (mm)	399.0
FL (mm)	116.0
F (mm)	125
E (mm)	115.0
DC (mm)	80
LC (mm)	5
CC (mm)	100
F1 (mm)	15
F2 (mm)	18
F3 (mm)	62
Y (mm)	6
Y1 (mm)	10
Y2 (mm)	3.1
Y3 (mm)	8.9
DS (mm)	20
LS (mm)	40
Weight (g)	3800