

## kit for axial connection - Mod. AR

Product code: AR-6E-63-R060P

Datasheet creation date: 07/03/2025 15:44

Check the most updated document online [click here](#)

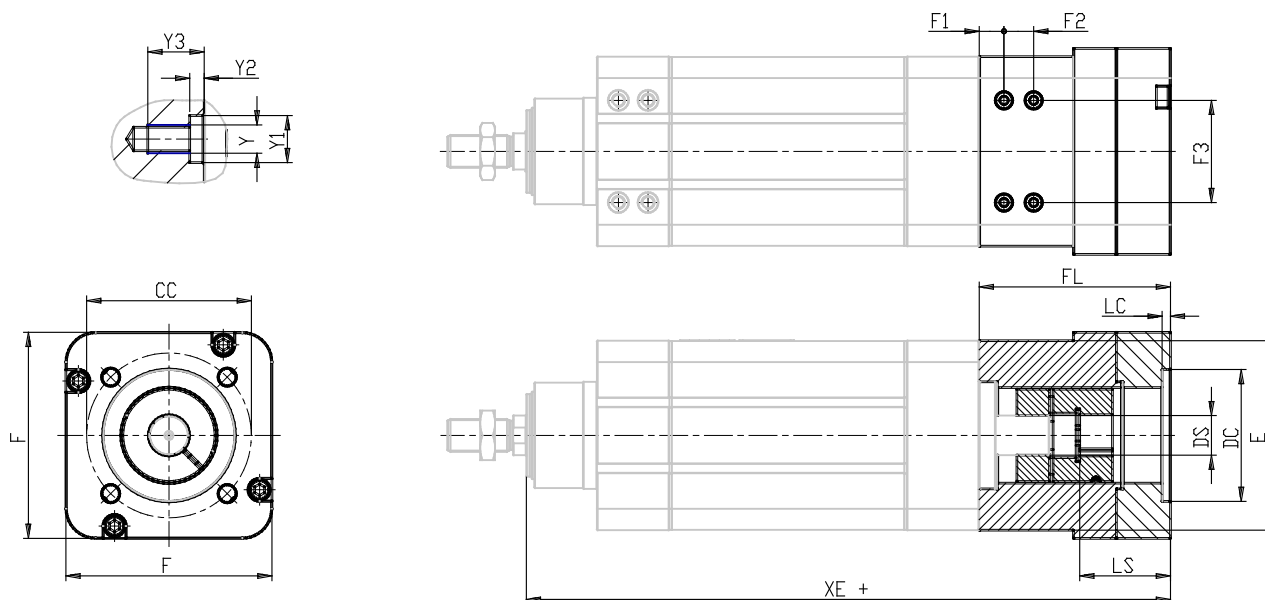


### TECHNICAL DATA

<b>Mod.</b>	AR-6E-63-R060P
<b>Gearbox</b>	GB-060-...

## kit for axial connection - Mod. AR

Product code: AR-6E-63-R060P



### DIMENSIONS

<b>XE (mm)</b>	338.5
<b>FL (mm)</b>	87.8
<b>F (mm)</b>	0
<b>E (mm)</b>	75.0
<b>DC (mm)</b>	40
<b>LC (mm)</b>	4
<b>CC (mm)</b>	52
<b>F1 (mm)</b>	0
<b>F2 (mm)</b>	0
<b>F3 (mm)</b>	0
<b>Y (mm)</b>	0
<b>Y1 (mm)</b>	0
<b>Y2 (mm)</b>	0.0
<b>Y3 (mm)</b>	0.0
<b>DS (mm)</b>	14
<b>LS (mm)</b>	35
<b>Weight (g)</b>	1100