

## kit for axial connection - Mod. AR

Product code: AR-6E-80-R080P

Datasheet creation date: 07/03/2025 15:44

Check the most updated document online [click here](#)

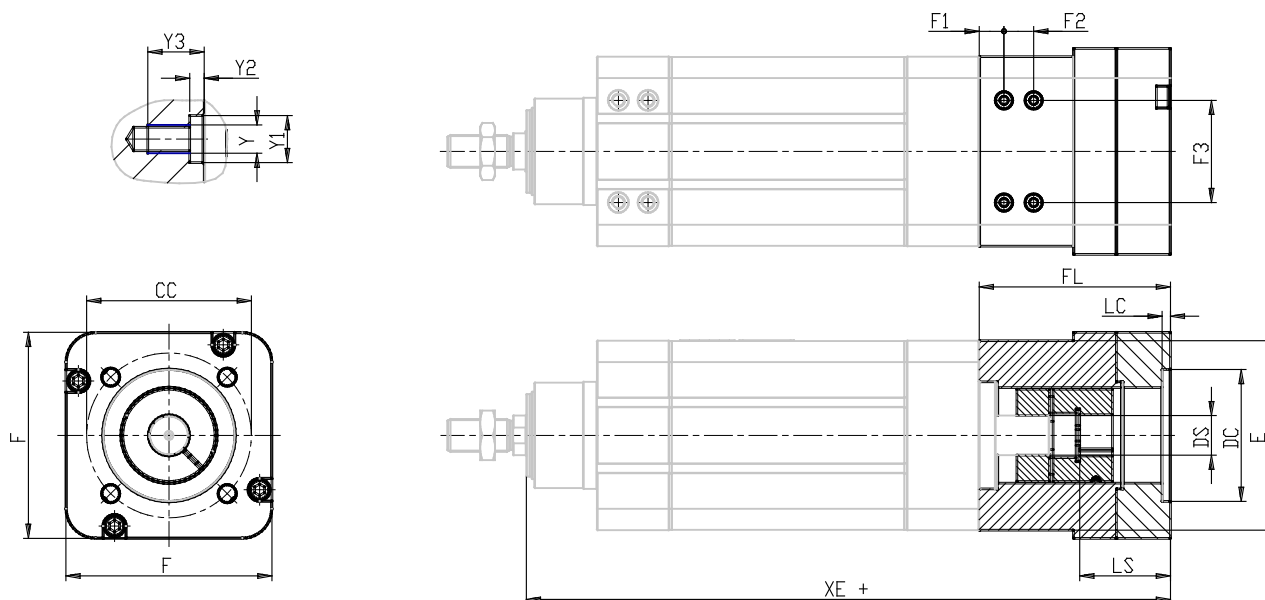


### ■ TECHNICAL DATA

<b>Mod.</b>	AR-6E-80-R080P
<b>Gearbox</b>	GB-080-...

## kit for axial connection - Mod. AR

Product code: AR-6E-80-R080P



### DIMENSIONS

<b>XE (mm)</b>	357.5
<b>FL (mm)</b>	97.5
<b>F (mm)</b>	0
<b>E (mm)</b>	93.0
<b>DC (mm)</b>	60
<b>LC (mm)</b>	4
<b>CC (mm)</b>	70
<b>F1 (mm)</b>	15
<b>F2 (mm)</b>	18
<b>F3 (mm)</b>	49
<b>Y (mm)</b>	6
<b>Y1 (mm)</b>	10
<b>Y2 (mm)</b>	3.1
<b>Y3 (mm)</b>	8.9
<b>DS (mm)</b>	20
<b>LS (mm)</b>	40
<b>Weight (g)</b>	2090