

## Rotary cylinders - Series ARP

Product code: ARP-001-2AA-F0300-AEX

Datasheet creation date: 07/03/2025 17:51

Check the most updated document online [click here](#)

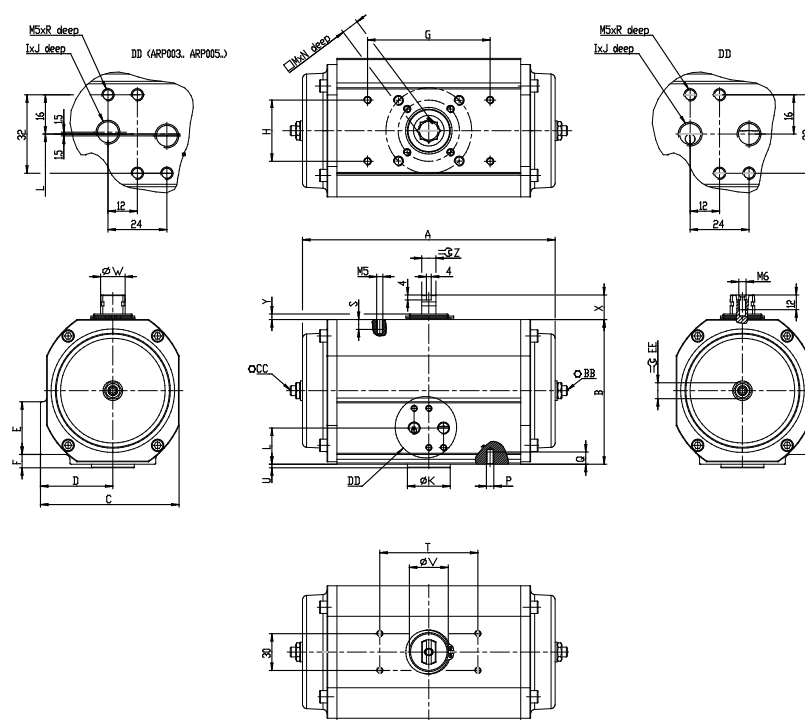


### TECHNICAL DATA

<b>Series</b>	ARP
<b>Size</b>	001 = torque force 9 Nm
<b>Operation</b>	2A = double-acting
<b>Rotation angle (°)</b>	A = 90°
<b>Interface for flange (iso 5211)</b>	F0300
<b>Materials</b>	A = standard anodized
<b>Atex</b>	EX

## Rotary cylinders - Series ARP

Product code: ARP-001-2AA-F0300-AEX



### DIMENSIONS

ISO	F03
A (mm)	103.0
B (mm)	45.0
C (mm)	51.0
D (mm)	28.5
E (mm)	0.0
F (mm)	-
G (mm)	0
H (mm)	0
I	G1/8
J (mm)	10
ØK (mm)	25
L (mm)	22.5
M (mm)	9
N (mm)	11
P (mm)	-
Q (mm)	0
R (mm)	8
S (mm)	5
T (mm)	80
U (mm)	2.0
ØV (mm)	22.5
ØW (mm)	16

X (mm)	20
Y (mm)	4.5
Z (mm)	11.5
BB (mm)	0
CC (mm)	0
EE (mm)	0