

## Rotary cylinders - Series ARP

Product code: ARP-012-2AA-F0705-AEX

Datasheet creation date: 07/03/2025 17:52

Check the most updated document online [click here](#)

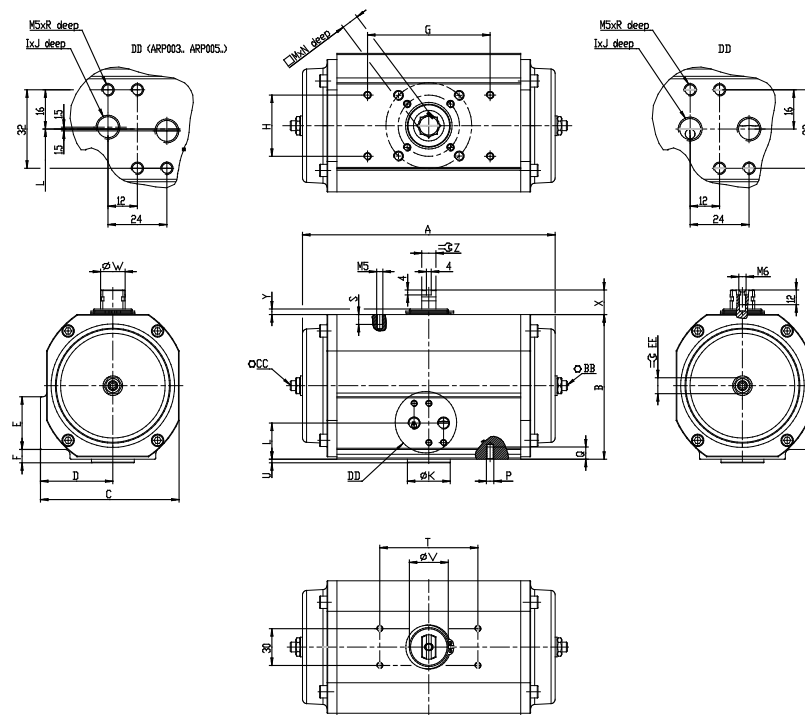


### TECHNICAL DATA

<b>Series</b>	ARP
<b>Size</b>	012 = torque force 120 Nm
<b>Operation</b>	2A = double-acting
<b>Rotation angle (°)</b>	A = 90°
<b>Interface for flange (iso 5211)</b>	F0705
<b>Materials</b>	A = standard anodized
<b>Atex</b>	EX

## Rotary cylinders - Series ARP

Product code: ARP-012-2AA-F0705-AEX



### DIMENSIONS

ISO	F07-F05
A (mm)	194.0
B (mm)	118.5
C (mm)	121.0
D (mm)	67.0
E (mm)	43.0
F (mm)	8
G (mm)	107
H (mm)	49
I	G1/4
J (mm)	12
ØK (mm)	55
L (mm)	29.5
M (mm)	17
N (mm)	20
P (mm)	M6
Q (mm)	10
R (mm)	8
S (mm)	5
T (mm)	80
U (mm)	3.0
ØV (mm)	45.0
ØW (mm)	20

X (mm)	20
Y (mm)	6.0
Z (mm)	11.5
BB (mm)	0
CC (mm)	6
EE (mm)	19