

Rotary cylinders - Series ARP

Product code: ARP-035-2AA-F1007-WEX

Datasheet creation date: 07/03/2025 17:52

Check the most updated document online [click here](#)

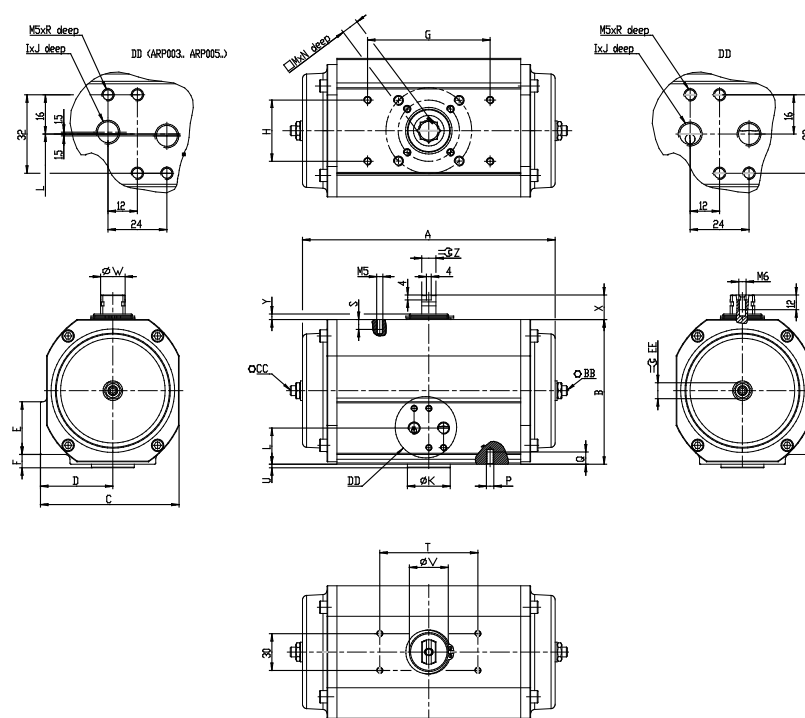


TECHNICAL DATA

Series	ARP
Size	035 = torque force 370 Nm
Operation	2A = double-acting
Rotation angle (°)	A = 90°
Interface for flange (iso 5211)	F1007
Materials	W = all seals in FKM (130 ° C)
Atex	EX

Rotary cylinders - Series ARP

Product code: ARP-035-2AA-F1007-WEX



DIMENSIONS

ISO	F10-F07
A (mm)	266.0
B (mm)	166.5
C (mm)	156.0
D (mm)	78.0
E (mm)	43.0
F (mm)	8.5
G (mm)	161
H (mm)	73
I	G1/4
J (mm)	12
ØK (mm)	70
L (mm)	30.0
M (mm)	22
N (mm)	24
P (mm)	M6
Q (mm)	12
R (mm)	8
S (mm)	5
T (mm)	80
U (mm)	3.0
ØV (mm)	61.0
ØW (mm)	32

X (mm)	20
Y (mm)	7.0
Z (mm)	19.0
BB (mm)	0
CC (mm)	8
EE (mm)	24