

Rotary cylinders - Series ARP

Product code: ARP-070-1BA-F1210-AEX

Datasheet creation date: 07/03/2025 17:52

Check the most updated document online [click here](#)

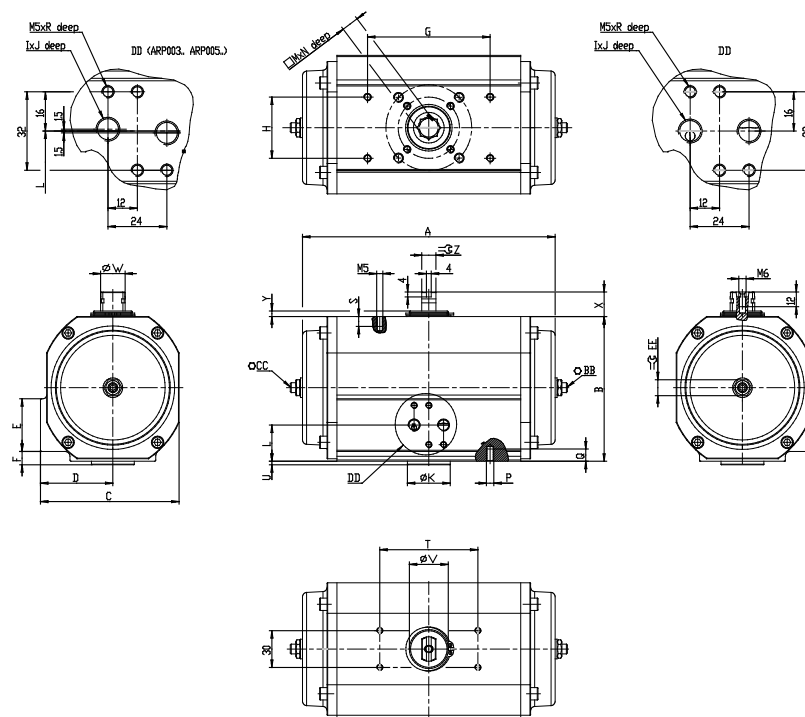


TECHNICAL DATA

Series	ARP
Size	070 = torque force 825 Nm
Operation	1B = single-acting, minimum pressure of 5 bar
Rotation angle (°)	A = 90°
Interface for flange (iso 5211)	F1210
Materials	A = standard anodized
Atex	EX

Rotary cylinders - Series ARP

Product code: ARP-070-1BA-F1210-AEX



DIMENSIONS

ISO	F12-F10
A (mm)	358.0
B (mm)	216.0
C (mm)	198.0
D (mm)	99.0
E (mm)	49.0
F (mm)	19.5
G (mm)	213
H (mm)	102
I	G1/4
J (mm)	12
ØK (mm)	85
L (mm)	46.0
M (mm)	27
N (mm)	30
P (mm)	M8
Q (mm)	12
R (mm)	8
S (mm)	6
T (mm)	130
U (mm)	3.0
ØV (mm)	72.0
ØW (mm)	40

X (mm)	30
Y (mm)	7.0
Z (mm)	25.5
BB (mm)	10
CC (mm)	10
EE (mm)	30