

Rotary cylinders - Series ARP

Product code: ARP-250-1BA-F1600-AEX

Datasheet creation date: 07/03/2025 17:53

Check the most updated document online [click here](#)

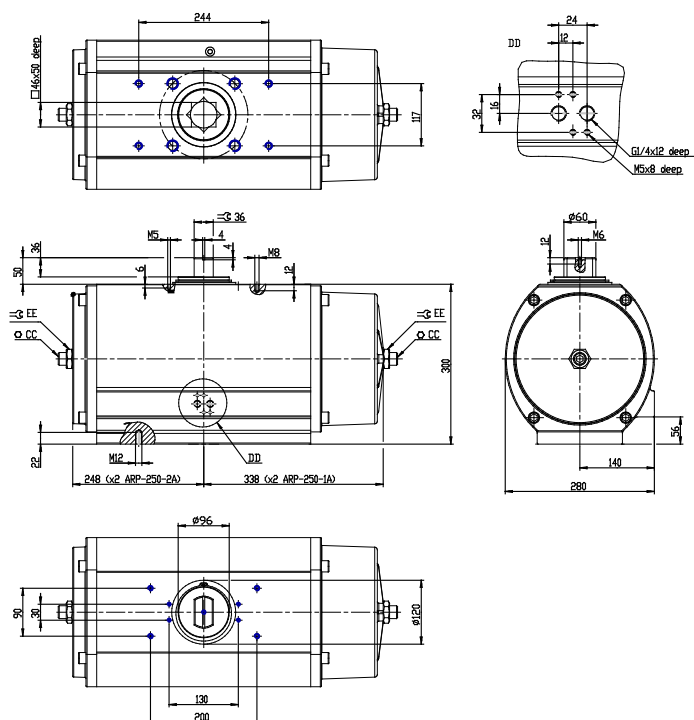


TECHNICAL DATA

Mod.	ARP-250-1BA-F1600
Materials	A = standard anodized
Atex (mm)	EX

Rotary cylinders - Series ARP

Product code: ARP-250-1BA-F1600-AEX



DIMENSIONS

ISO	F16
(mm)	14
(mm)	46