

Rotary cylinders - Series ARP

Product code: ARP-400-1DA-F2516-AEX

Datasheet creation date: 07/03/2025 17:53

Check the most updated document online [click here](#)

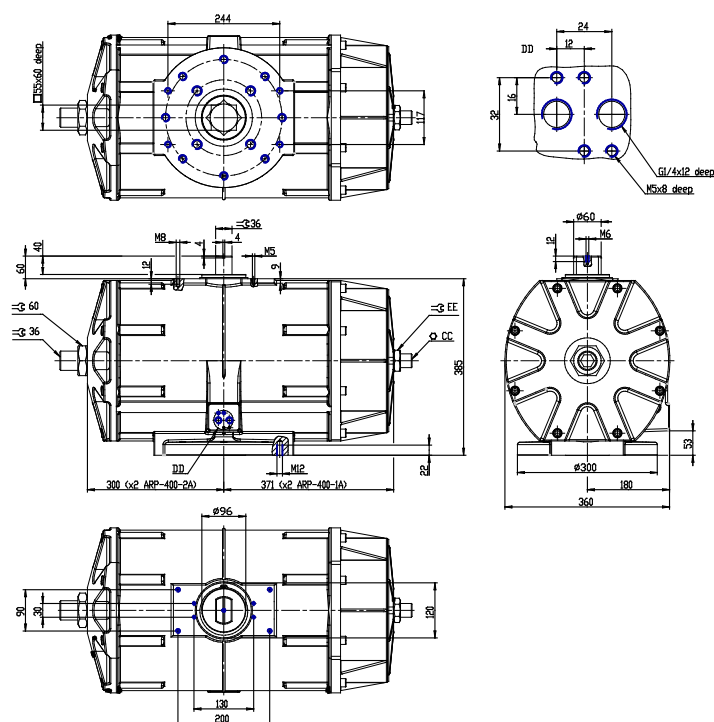


TECHNICAL DATA

Mod.	ARP-400-1DA-F2516
Materials	A = standard anodized
Atex	EX

Rotary cylinders - Series ARP

Product code: ARP-400-1DA-F2516-AEX



DIMENSIONS

ISO	F25
CC (mm)	14
EE (mm)	46