

## Series ASX angle seat valve - flanged - Series ASX

Product code: ASX21-W020F2-05013

Datasheet creation date: 10/03/2025 11:03

Check the most updated document online [click here](#)

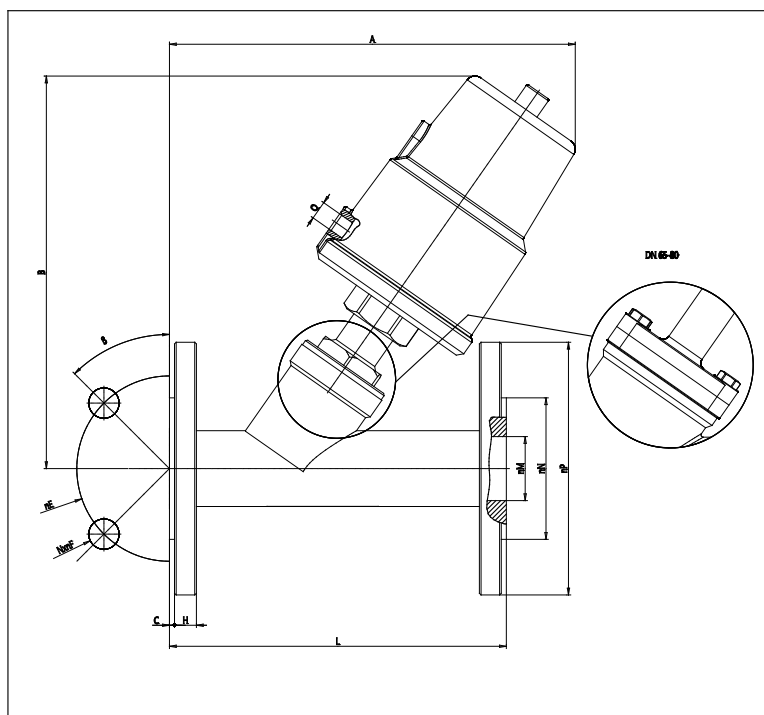


### TECHNICAL DATA

<b>Series</b>	AS
<b>Actuator</b>	X = metal actuator
<b>Body material</b>	2 = 316 stainless steel
<b>Function</b>	1 = 2/2 NC
<b>Flow direction</b>	W = under seat (antiwater hammer)
<b>Diameter</b>	DN 20
<b>Connection</b>	F2 = flange DIN 2543
<b>Actuator size</b>	Ø50 mm
<b>Actuator material</b>	1 = 304 stainless steel
<b>Gaskets</b>	3 = for high temperature 25 / 220 °C
<b>Options</b>	= None

## Series ASX angle seat valve - flanged - Series ASX

Product code: ASX21-W020F2-05013



### DIMENSIONS

DN	20
M	19
N	56
P	105
E	75
F	4x14
$\beta$	45°
A	165
B	140
L	150
C	2
H	14
Q	1/8"