

Series ASX angle seat valve - threaded - Series ASX

Product code: ASX21-W020G1-05013

Datasheet creation date: 10/03/2025 11:03

Check the most updated document online [click here](#)

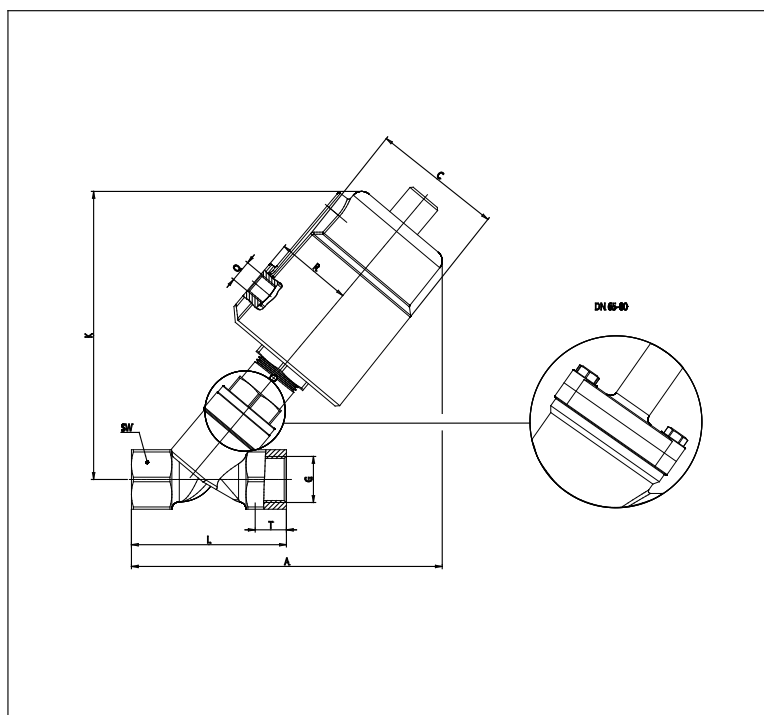


TECHNICAL DATA

Series	AS
Actuator	X = metal actuator
Body material	2 = 316 stainless steel
Function	1 = 2/2 NC
Flow direction	W = under seat (antiwater hammer)
Diameter	DN 20
Connection	G1 = threaded BSP DIN 228-1 Ø50 mm
Actuator material	1 = 304 stainless steel
Gaskets	3 = for high temperature 25/220 ° C
Options	= None

Series ASX angle seat valve - threaded - Series ASX

Product code: ASX21-W020G1-05013



DIMENSIONS

	20
G	3/4"
T	16
A	140
L	75
SW	32
C	60.0
R	33
K	132
Q	1/8"