

Series ASX angle seat valve - welding ends - Series ASX

Product code: ASX21-W025H7-05012

Datasheet creation date: 10/03/2025 11:04

Check the most updated document online [click here](#)

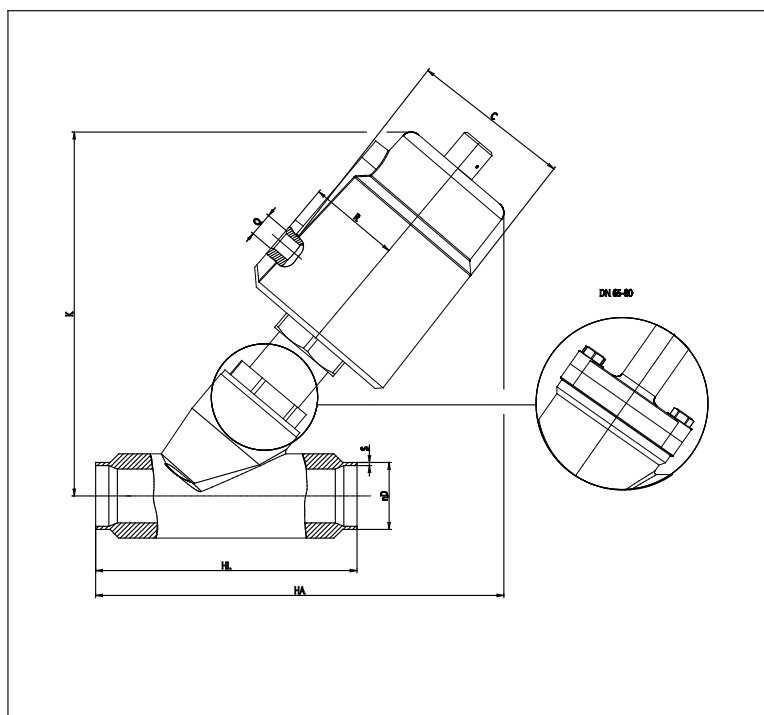


TECHNICAL DATA

Series	AS
Actuator	X = metal actuator
Body material	2 = 316 stainless steel
Function	1 = 2/2 NC
Flow direction	W = under seat (antiwater hammer)
Diameter	DN 25
Connection	H7 = welding ends DIN 11850-2 / DIN 11866-A
Actuator material	1 = 304 stainless steel
Gaskets	2 = for standard temperature -10 / 180 ° C
Options	= None

Series ASX angle seat valve - welding ends - Series ASX

Product code: ASX21-W025H7-05012



DIMENSIONS

DN	25
D	29
S	1.5
HA	150
HL	100
C	60.0
R	33
K	136
Q	1/8"