

## Series ASX angle seat valve - tri-clamp - Series ASX

Product code: ASX21-W032K7-06312-PI1

Datasheet creation date: 10/03/2025 11:05

Check the most updated document online [click here](#)

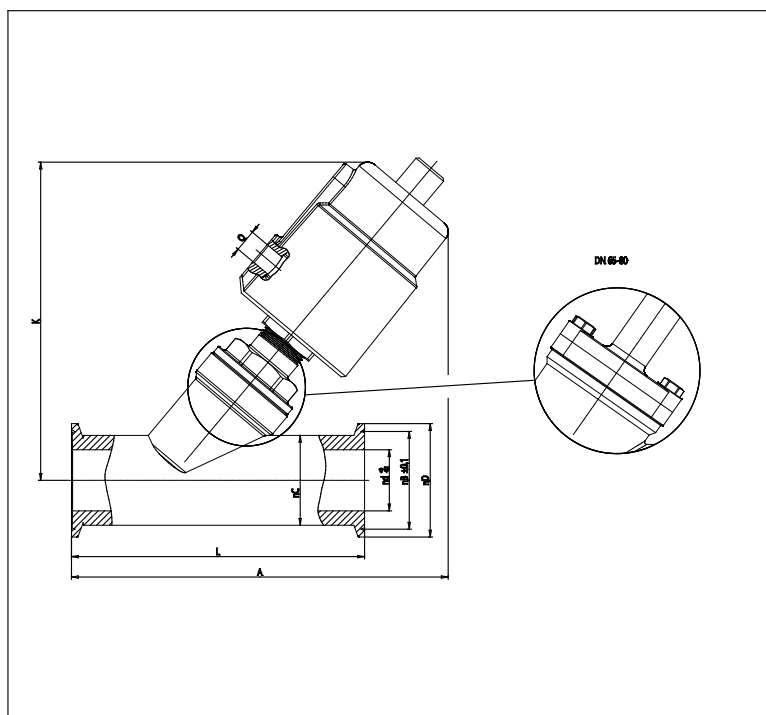


### TECHNICAL DATA

<b>Series</b>	AS
<b>Actuator</b>	X = metal actuator
<b>Body material</b>	2 = 316 stainless steel
<b>Function</b>	1 = 2/2 NC
<b>Flow direction</b>	W = under seat (antiwater hammer)
<b>Diameter</b>	DN 32
<b>Connection</b>	K7 = tri-clamp ISO 2852
<b>Actuator size (mm)</b>	Ø63 mm
<b>Actuator material</b>	1 = 304 stainless steel
<b>Gaskets</b>	2 = for standard temperature -10 / 180°C
<b>Options</b>	PI1 = position indicator for Ø40 - Ø50 - Ø63 - Ø90 mm actuators

## Series ASX angle seat valve - tri-clamp - Series ASX

Product code: ASX21-W032K7-06312-PI1



### **DIMENSIONS**

DN	32
C	37
B	43.5
D	31
D2	50.5
A	200
K	174
L	146
Q	1/8"