

## Series ASX angle seat valve - welding ends - Series ASX

Product code: ASX21-W040H7-06312

Datasheet creation date: 10/03/2025 11:05

Check the most updated document online [click here](#)

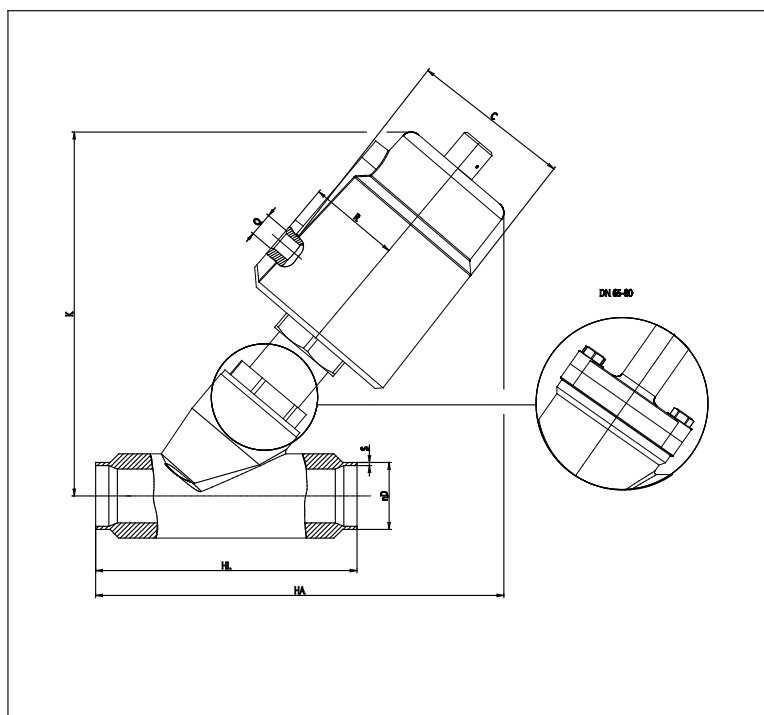


### TECHNICAL DATA

<b>Series</b>	AS
<b>Actuator</b>	X = metal actuator
<b>Body material</b>	2 = 316 stainless steel
<b>Function</b>	1 = 2/2 NC
<b>Flow direction</b>	W = under seat (antiwater hammer)
<b>Diameter</b>	DN 40
<b>Connection</b>	H7 = welding ends DIN 11850-2 / DIN 11866-A
<b>Actuator material</b>	1 = 304 stainless steel
<b>Gaskets</b>	2 = for standard temperature -10 / 180 ° C
<b>Options</b>	= None

## Series ASX angle seat valve - welding ends - Series ASX

Product code: ASX21-W040H7-06312



### **DIMENSIONS**

DN	40
D	41
S	1.5
HA	190
HL	130
C	75.0
R	41
K	175
Q	1/8"