

Series ASX angle seat valve - tri-clamp - Series ASX

Product code: ASX21-W040K7-06312

Datasheet creation date: 10/03/2025 11:05

Check the most updated document online [click here](#)

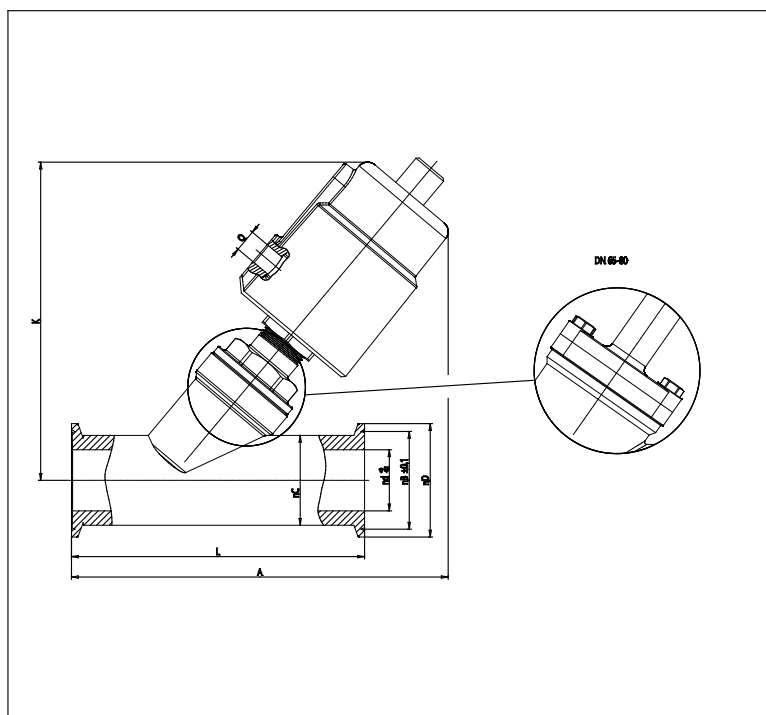


TECHNICAL DATA

Series	AS
Actuator	X = metal actuator
Body material	2 = 316 stainless steel
Function	1 = 2/2 NC
Flow direction	W = under seat (antiwater hammer)
Diameter	DN 40
Connection	K7 = tri-clamp ISO 2852
Actuator size (mm)	Ø63 mm
Actuator material	1 = 304 stainless steel
Gaskets	2 = for standard temperature -10 / 180°C
Options	= none

Series ASX angle seat valve - tri-clamp - Series ASX

Product code: ASX21-W040K7-06312



DIMENSIONS

DN	40
C	40
B	56.5
D	33
D2	64.0
A	210
K	175
L	160
Q	1/8"