

Series ASX angle seat valve - flanged - Series ASX

Product code: ASX21-W050F2-09012

Datasheet creation date: 10/03/2025 11:05

Check the most updated document online [click here](#)

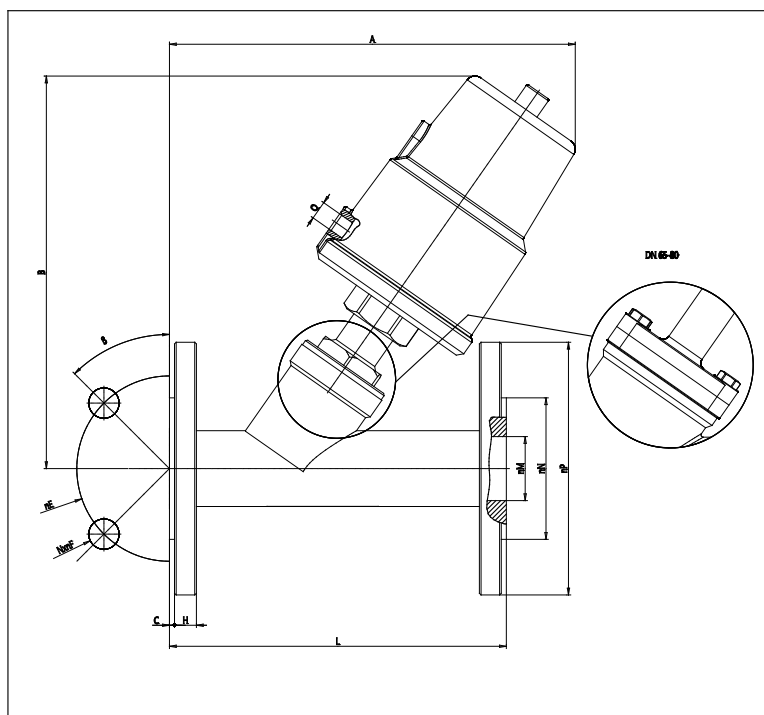


TECHNICAL DATA

Series	AS
Actuator	X = metal actuator
Body material	2 = 316 stainless steel
Function	1 = 2/2 NC
Flow direction	W = under seat (antiwater hammer)
Diameter	DN 50
Connection	F2 = flange DIN 2543
Actuator size	Ø90 mm
Actuator material	1 = 304 stainless steel
Gaskets	2 = for standard temperature -10 / 180°C
Options	= None

Series ASX angle seat valve - flanged - Series ASX

Product code: ASX21-W050F2-09012



DIMENSIONS

DN	50
M	49
N	100
P	165
E	125
F	4x18
β	45°
A	277
B	245
L	230
C	3
H	16
Q	1/8"