

Series ASX angle seat valve - threaded - Series ASX

Product code: ASX21-Y015G1-05012-SL1

Datasheet creation date: 10/03/2025 11:03

Check the most updated document online [click here](#)

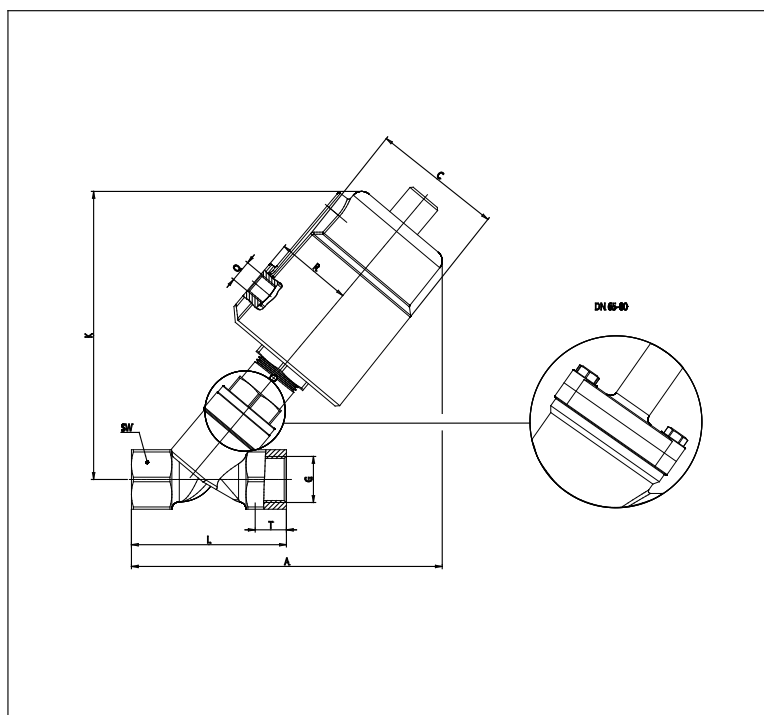


TECHNICAL DATA

Series	AS
Actuator	X = metal actuator
Body material	2 = 316 stainless steel
Function	1 = 2/2 NC
Flow direction	Y = above seat
Diameter	DN 15
Connection	G1 = threaded BSP DIN 228-1 Ø50 mm
Actuator material	1 = 304 stainless steel
Gaskets	2 = for standard temperature -10 / 180 ° C
Options	SL1 = stroke limiter for Ø50 - Ø63 mm actuators

Series ASX angle seat valve - threaded - Series ASX

Product code: ASX21-Y015G1-05012-SL1



DIMENSIONS

	15
G	1/2"
T	15
A	135
L	68
SW	27
C	60.0
R	33
K	125
Q	1/8"