

## Series ASX angle seat valve - tri-clamp - Series ASX

Product code: ASX21-Y015K7-05012

Datasheet creation date: 10/03/2025 11:03

Check the most updated document online [click here](#)

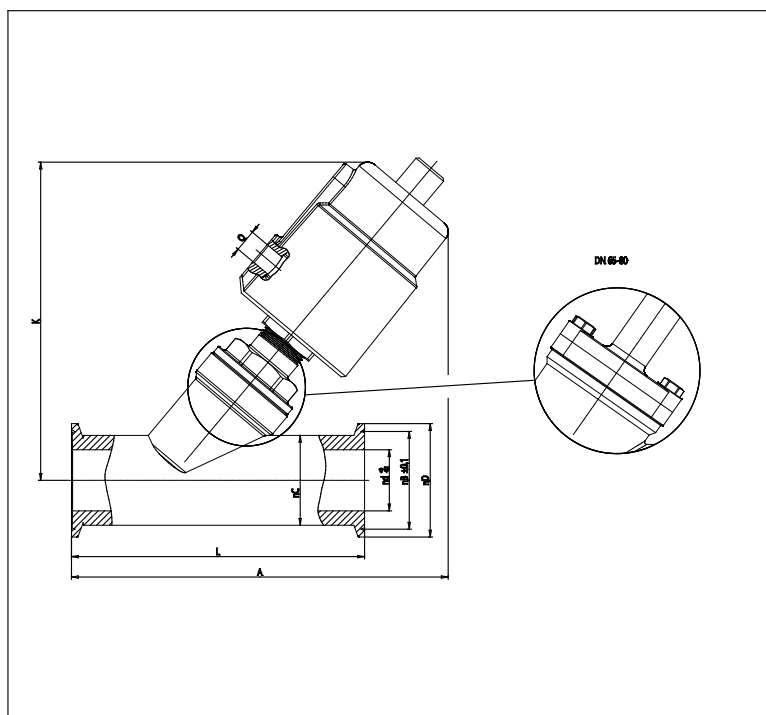


### TECHNICAL DATA

<b>Series</b>	AS
<b>Actuator</b>	X = metal actuator
<b>Body material</b>	2 = 316 stainless steel
<b>Function</b>	1 = 2/2 NC
<b>Flow direction</b>	Y = above seat
<b>Diameter</b>	DN 15
<b>Connection</b>	K7 = tri-clamp ISO 2852
<b>Actuator size (mm)</b>	Ø50 mm
<b>Actuator material</b>	1 = 304 stainless steel
<b>Gaskets</b>	2 = for standard temperature -10 / 180°C
<b>Options</b>	= none

## Series ASX angle seat valve - tri-clamp - Series ASX

Product code: ASX21-Y015K7-05012



### **DIMENSIONS**

<b>DN</b>	15
<b>C</b>	19
<b>B</b>	27.5
<b>D</b>	15
<b>D2</b>	34.0
<b>A</b>	140
<b>K</b>	126
<b>L</b>	80
<b>Q</b>	1/8"