

## Series ASX angle seat valve - flanged - Series ASX

Product code: ASX21-Y025F2-06312-PI1

Datasheet creation date: 10/03/2025 11:04

Check the most updated document online [click here](#)

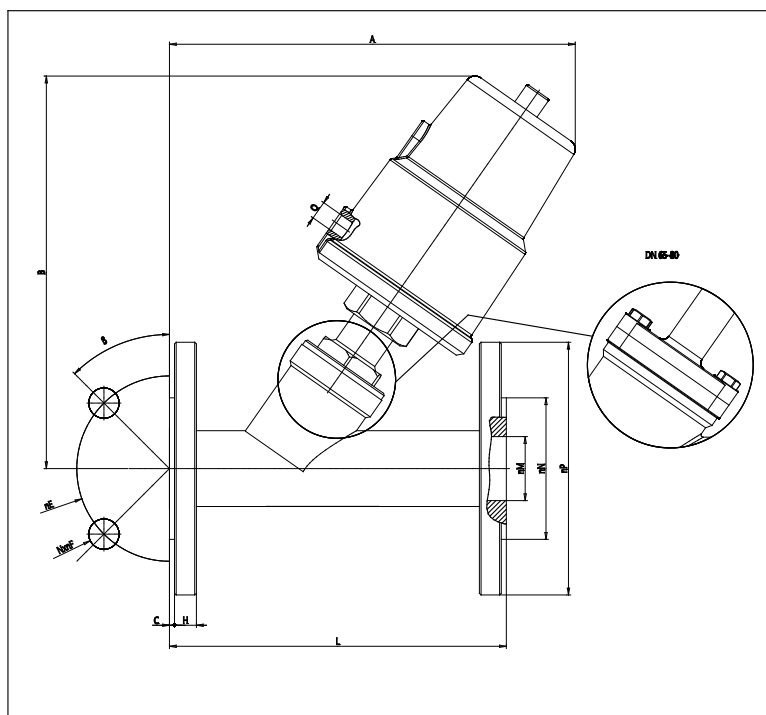


### TECHNICAL DATA

<b>Series</b>	AS
<b>Actuator</b>	X = metal actuator
<b>Body material</b>	2 = 316 stainless steel
<b>Function</b>	1 = 2/2 NC
<b>Flow direction</b>	Y = above seat
<b>Diameter</b>	DN 25
<b>Connection</b>	F2 = flange DIN 2543
<b>Actuator size</b>	Ø63 mm
<b>Actuator material</b>	1 = 304 stainless steel
<b>Gaskets</b>	2 = for standard temperature -10 / 180°C
<b>Options</b>	PI1 = position indicator for Ø40 - Ø50 - Ø63 - Ø90 mm actuators

## Series ASX angle seat valve - flanged - Series ASX

Product code: ASX21-Y025F2-06312-PI1



### DIMENSIONS

DN	25
M	26
N	65
P	115
E	85
F	4x14
$\beta$	45°
A	190
B	175
L	160
C	2
H	14
Q	1/8"