

## Series ASX angle seat valve - flanged - Series ASX

Product code: ASX21-Y025F2-06313

Datasheet creation date: 10/03/2025 11:04

Check the most updated document online [click here](#)

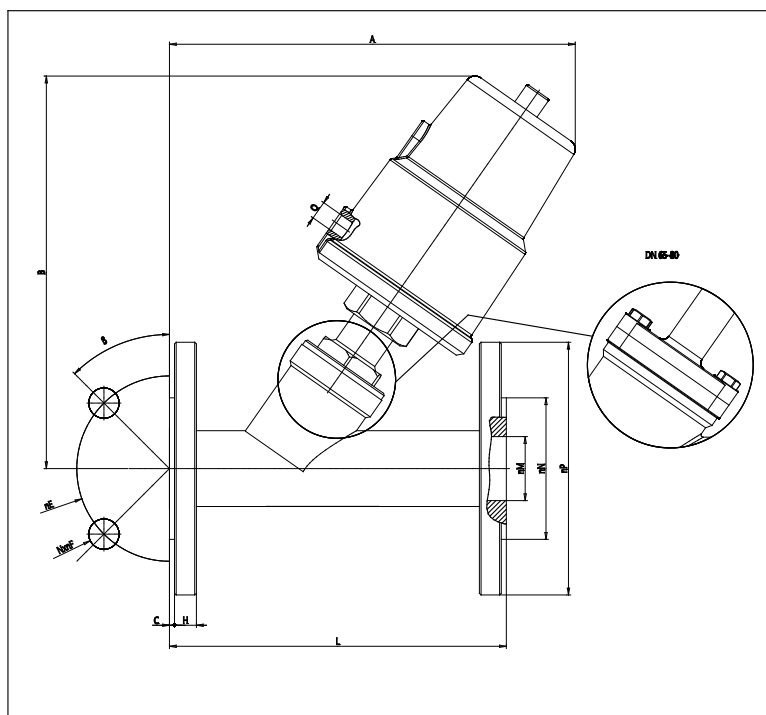


### TECHNICAL DATA

|                          |                                      |
|--------------------------|--------------------------------------|
| <b>Series</b>            | AS                                   |
| <b>Actuator</b>          | X = metal actuator                   |
| <b>Body material</b>     | 2 = 316 stainless steel              |
| <b>Function</b>          | 1 = 2/2 NC                           |
| <b>Flow direction</b>    | Y = above seat                       |
| <b>Diameter</b>          | DN 25                                |
| <b>Connection</b>        | F2 = flange DIN 2543                 |
| <b>Actuator size</b>     | Ø63 mm                               |
| <b>Actuator material</b> | 1 = 304 stainless steel              |
| <b>Gaskets</b>           | 3 = for high temperature 25 / 220 °C |
| <b>Options</b>           | = None                               |

## Series ASX angle seat valve - flanged - Series ASX

Product code: ASX21-Y025F2-06313



### DIMENSIONS

|    |      |
|----|------|
| DN | 25   |
| M  | 26   |
| N  | 65   |
| P  | 115  |
| E  | 85   |
| F  | 4x14 |
| β  | 45°  |
| A  | 190  |
| B  | 175  |
| L  | 160  |
| C  | 2    |
| H  | 14   |
| Q  | 1/8" |