

Series ASX angle seat valve - tri-clamp - Series ASX

Product code: ASX21-Y025K7-05012

Datasheet creation date: 10/03/2025 11:04

Check the most updated document online [click here](#)

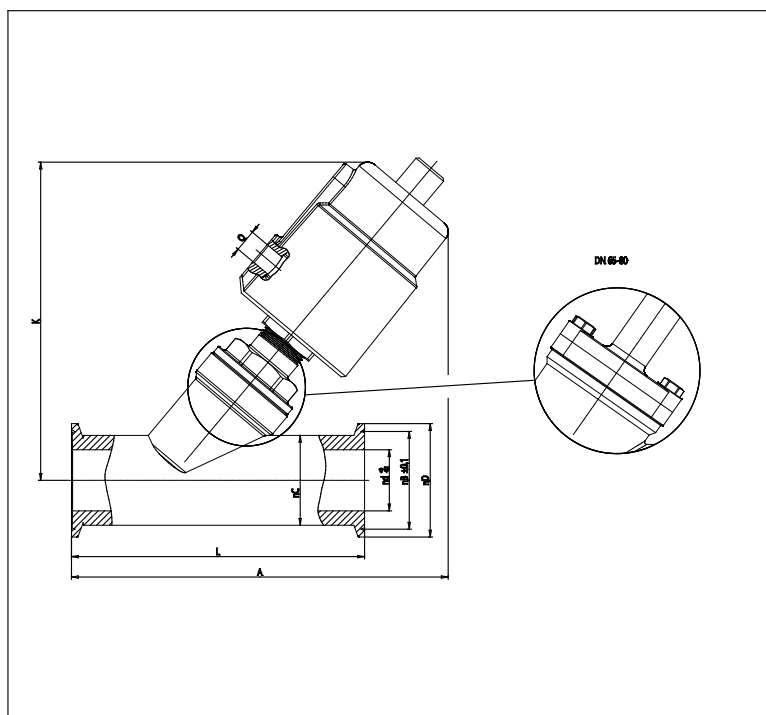


TECHNICAL DATA

Series	AS
Actuator	X = metal actuator
Body material	2 = 316 stainless steel
Function	1 = 2/2 NC
Flow direction	Y = above seat
Diameter	DN 25
Connection	K7 = tri-clamp ISO 2852
Actuator size (mm)	Ø50 mm
Actuator material	1 = 304 stainless steel
Gaskets	2 = for standard temperature -10 / 180°C
Options	= none

Series ASX angle seat valve - tri-clamp - Series ASX

Product code: ASX21-Y025K7-05012



DIMENSIONS

DN	25
C	32
B	43.5
D	27
D2	50.5
A	165
K	140
L	130
Q	1/8"