

Series ASX angle seat valve - threaded - Series ASX

Product code: ASX21-Y025N1-06312

Datasheet creation date: 10/03/2025 11:04

Check the most updated document online [click here](#)

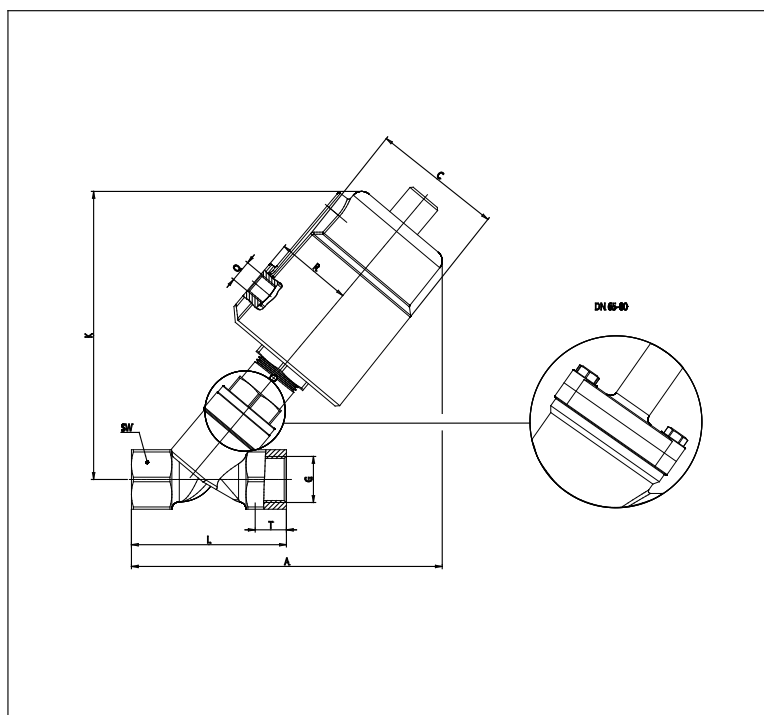


TECHNICAL DATA

Series	AS
Actuator	X = metal actuator
Body material	2 = 316 stainless steel
Function	1 = 2/2 NC
Flow direction	Y = above seat
Diameter	DN 25
Connection	N1 = threaded NPT ASME B1.20.1 Ø63 mm
Actuator material	1 = 304 stainless steel
Gaskets	2 = for standard temperature -10 / 180 ° C
Options	= None

Series ASX angle seat valve - threaded - Series ASX

Product code: ASX21-Y025N1-06312



DIMENSIONS

	25
G	1"
T	17
A	172
L	90
SW	40
C	75.0
R	41
K	162
Q	1/8"