

## Series ASX angle seat valve - flanged - Series ASX

Product code: ASX21-Y040F2-09012

Datasheet creation date: 10/03/2025 11:05

Check the most updated document online [click here](#)

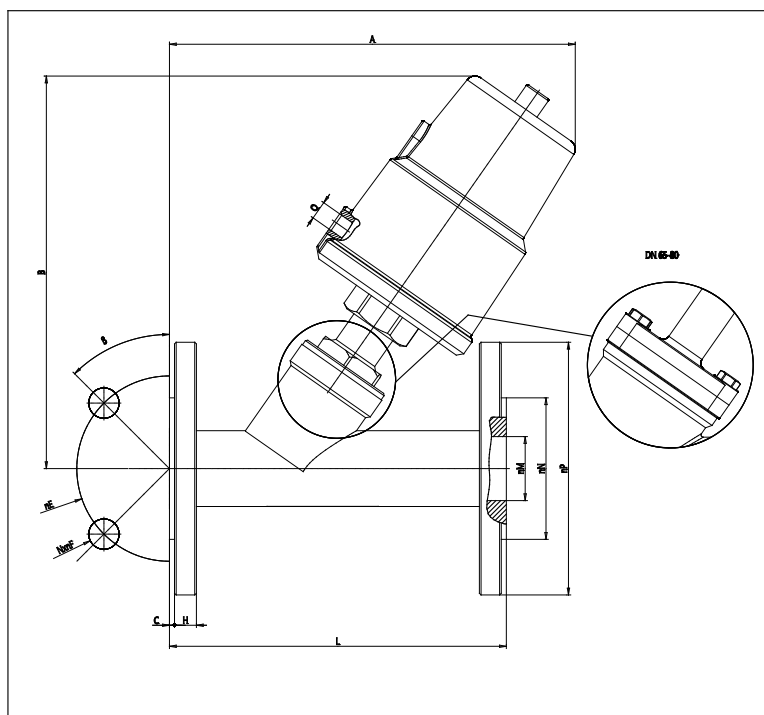


### TECHNICAL DATA

<b>Series</b>	AS
<b>Actuator</b>	X = metal actuator
<b>Body material</b>	2 = 316 stainless steel
<b>Function</b>	1 = 2/2 NC
<b>Flow direction</b>	Y = above seat
<b>Diameter</b>	DN 40
<b>Connection</b>	F2 = flange DIN 2543
<b>Actuator size</b>	Ø90 mm
<b>Actuator material</b>	1 = 304 stainless steel
<b>Gaskets</b>	2 = for standard temperature -10 / 180°C
<b>Options</b>	= None

## Series ASX angle seat valve - flanged - Series ASX

Product code: ASX21-Y040F2-09012



### DIMENSIONS

DN	40
M	38
N	84
P	150
E	110
F	4x18
β	45°
A	250
B	240
L	200
C	3
H	16
Q	1/8"