

Series ASX angle seat valve - flanged - Series ASX

Product code: ASX21-Y050F2-06313

Datasheet creation date: 10/03/2025 11:06

Check the most updated document online [click here](#)

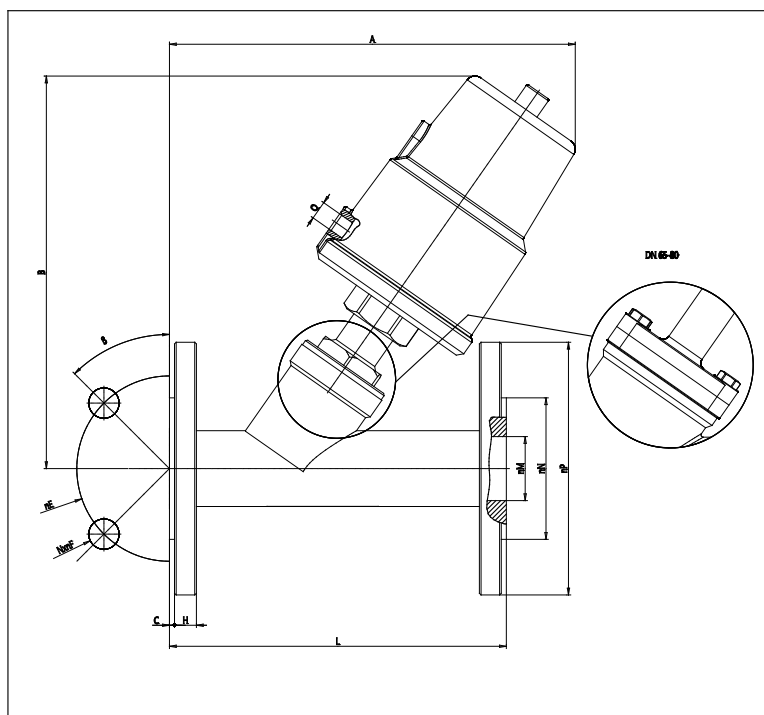


TECHNICAL DATA

Series	AS
Actuator	X = metal actuator
Body material	2 = 316 stainless steel
Function	1 = 2/2 NC
Flow direction	Y = above seat
Diameter	DN 50
Connection	F2 = flange DIN 2543
Actuator size	Ø63 mm
Actuator material	1 = 304 stainless steel
Gaskets	3 = for high temperature 25 / 220 °C
Options	= None

Series ASX angle seat valve - flanged - Series ASX

Product code: ASX21-Y050F2-06313



DIMENSIONS

DN	50
M	49
N	100
P	165
E	125
F	4x18
β	45°
A	235
B	195
L	230
C	3
H	16
Q	1/8"