

Series ASX angle seat valve - threaded - Series ASX

Product code: ASX23-W040N1-06312

Datasheet creation date: 10/03/2025 11:05

Check the most updated document online [click here](#)

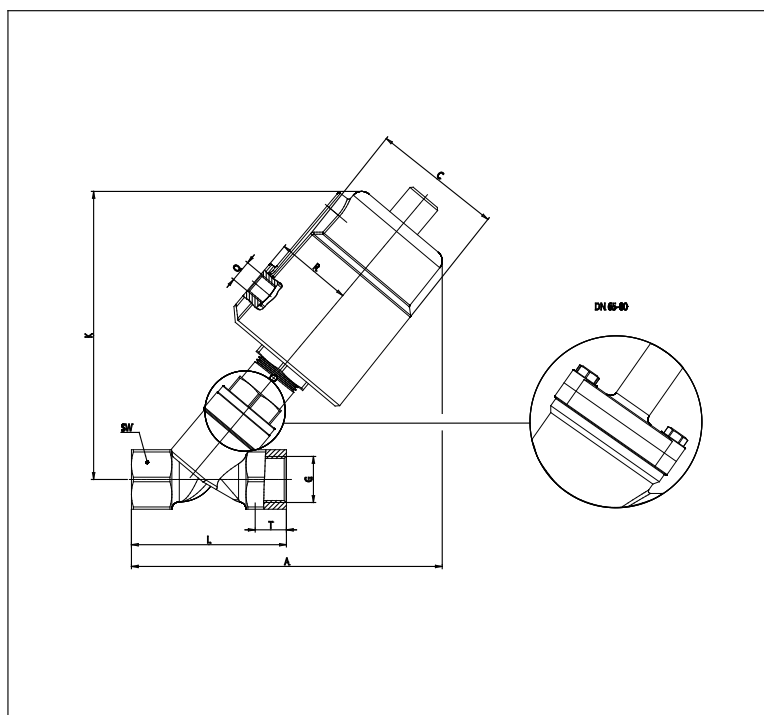


TECHNICAL DATA

Series	AS
Actuator	X = metal actuator
Body material	2 = 316 stainless steel
Function	3 = 2/2 Double effect
Flow direction	W = under seat (antiwater hammer)
Diameter	DN 40
Connection	N1 = threaded NPT ASME B1.20.1 Ø63 mm
Actuator material	1 = 304 stainless steel
Gaskets	2 = for standard temperature -10 / 180 ° C
Options	= None

Series ASX angle seat valve - threaded - Series ASX

Product code: ASX23-W040N1-06312



DIMENSIONS

	40
G	1 1/2"
T	21
A	190
L	116
SW	56
C	75.0
R	41
K	175
Q	1/8"