

Foot mount - Mod. B

Product code: B-24-32

Datasheet creation date: 07/03/2025 15:55

Check the most updated document online [click here](#)

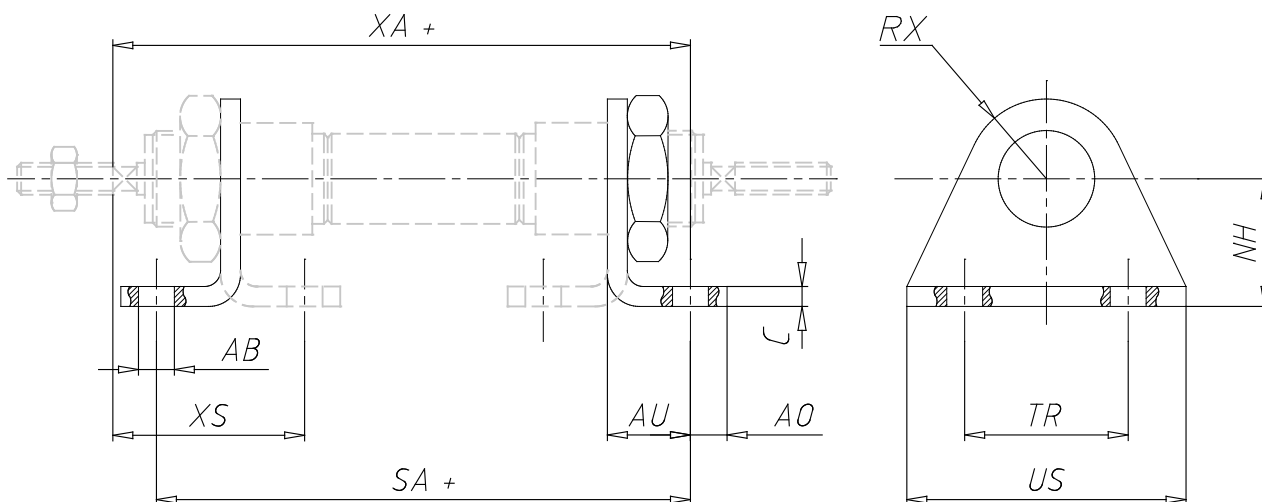


TECHNICAL DATA

| | |
|-------|---------|
| Model | B-24-32 |
|-------|---------|

Foot mount - Mod. B

Product code: B-24-32



DIMENSIONS

| | |
|---------|-------|
| TR (mm) | 58 |
| US (mm) | 66 |
| AB (mm) | 7.0 |
| C (mm) | 4.0 |
| NH (mm) | 28 |
| AO (mm) | 7.0 |
| AU (mm) | 16.0 |
| NH (mm) | 20 |
| XA (mm) | 113.0 |
| XS (mm) | 40 |
| R (mm) | 15.05 |