

Foot mount - Mod. B-27

Product code: B-27-50

Datasheet creation date: 07/03/2025 15:56

Check the most updated document online [click here](#)

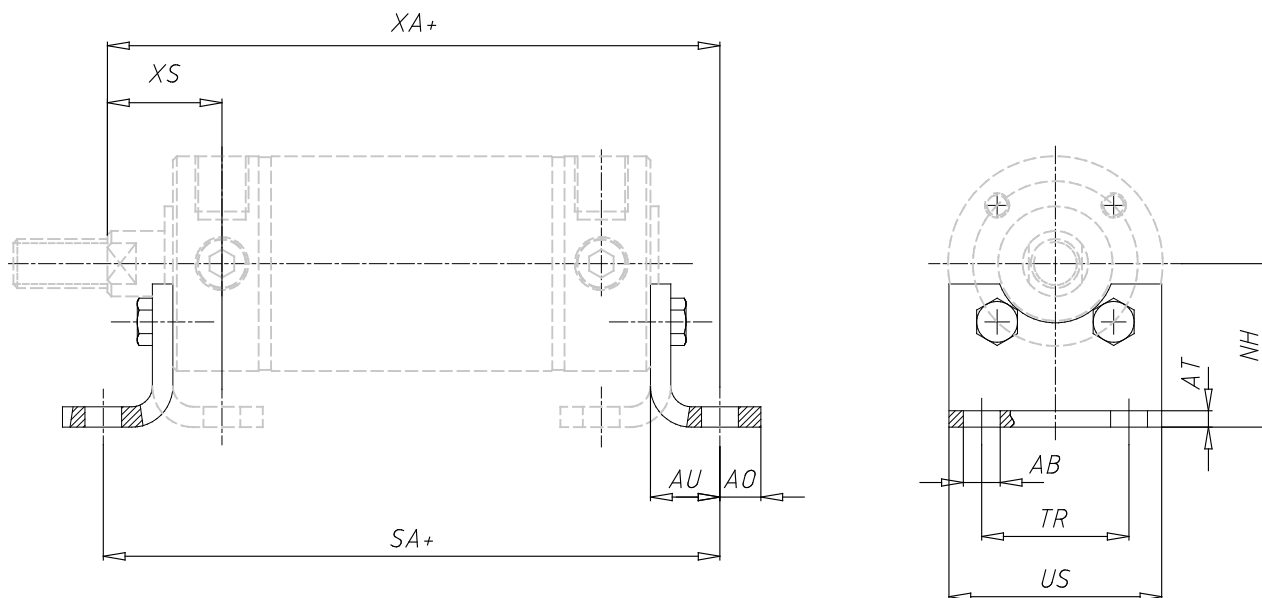


TECHNICAL DATA

Mod.	B-27-50
------	---------

Foot mount - Mod. B-27

Product code: B-27-50



DIMENSIONS

$\varnothing AB$ (mm)	9
NH (mm)	40
AO (mm)	10
AT (mm)	4
AU (mm)	17
US (mm)	52
TR (mm)	36
SA (mm)	118
XA (mm)	114
XS (mm)	26