

## Foot mount - Mod. B-54

Product code: B-54-32

Datasheet creation date: 07/03/2025 16:00

Check the most updated document online [click here](#)

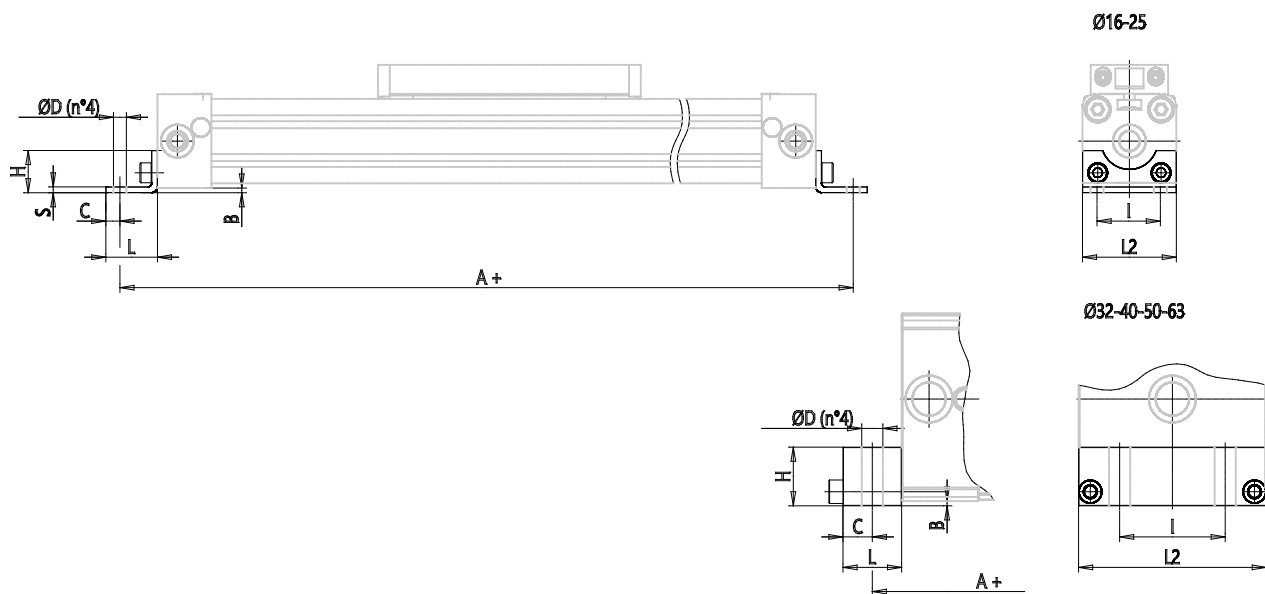


### ■ TECHNICAL DATA

Mod.	B-54-32
------	---------

## Foot mount - Mod. B-54

Product code: B-54-32



### DIMENSIONS

<b>A (mm)</b>	282
<b>L (mm)</b>	24
<b>L2 (mm)</b>	51
<b>H (mm)</b>	20.0
<b>I (mm)</b>	20
<b>B (mm)</b>	4.0
<b>C (mm)</b>	8.0
<b>D (mm)</b>	6.5
<b>S (mm)</b>	0.0