

## Foot mount - Mod. B-54

Product code: B-54-40

Datasheet creation date: 07/03/2025 16:01

Check the most updated document online [click here](#)

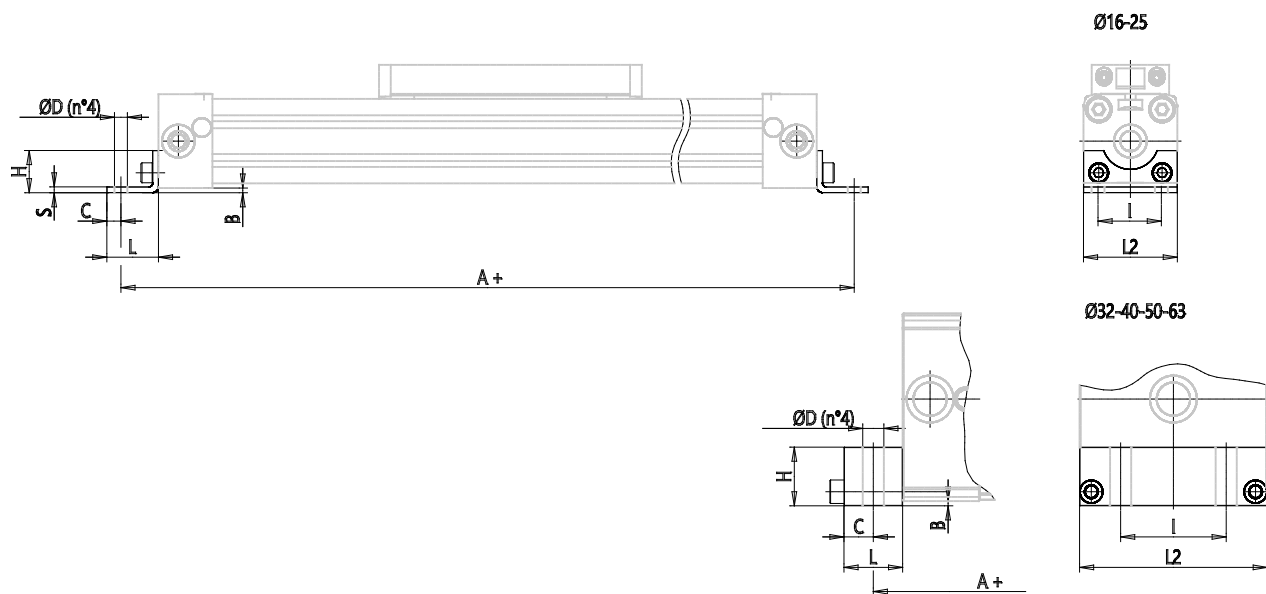


### TECHNICAL DATA

|      |         |
|------|---------|
| Mod. | B-54-40 |
|------|---------|

## Foot mount - Mod. B-54

Product code: B-54-40



### DIMENSIONS

|                |      |
|----------------|------|
| <b>A (mm)</b>  | 325  |
| <b>L (mm)</b>  | 24   |
| <b>L2 (mm)</b> | 71   |
| <b>H (mm)</b>  | 20.0 |
| <b>I (mm)</b>  | 30   |
| <b>B (mm)</b>  | 2.0  |
| <b>C (mm)</b>  | 11.5 |
| <b>D (mm)</b>  | 9.0  |
| <b>S (mm)</b>  | 0.0  |