

Foot mount - Mod. B-54

Product code: B-54-63

Datasheet creation date: 07/03/2025 16:01

Check the most updated document online [click here](#)

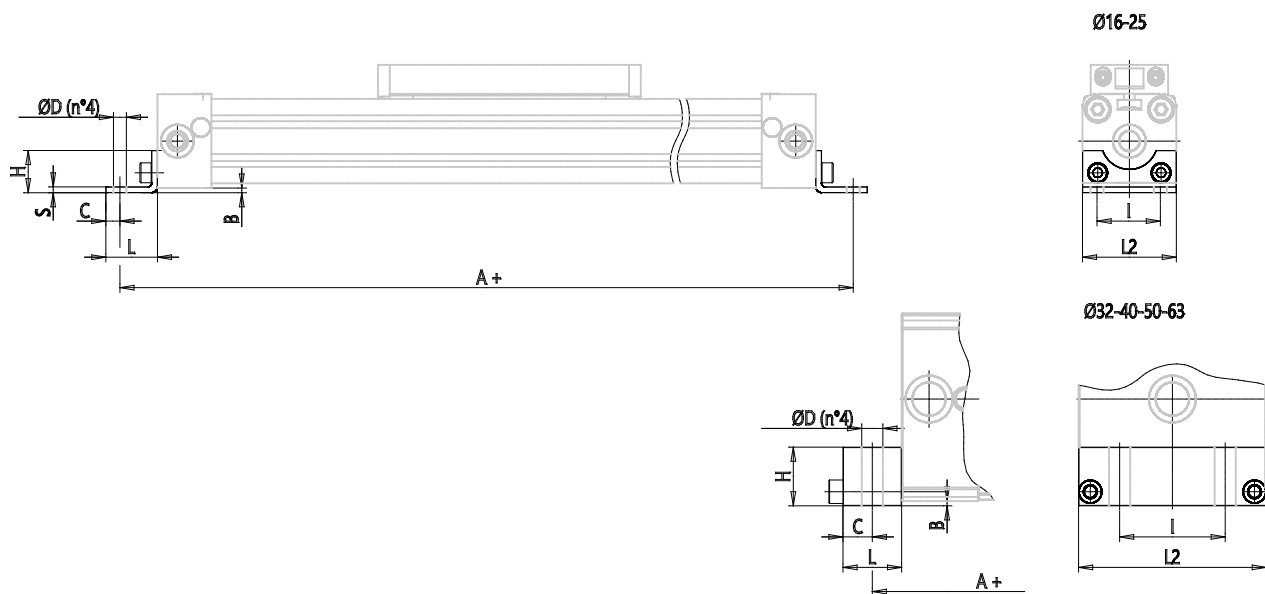


TECHNICAL DATA

Mod.	B-54-63
------	---------

Foot mount - Mod. B-54

Product code: B-54-63



DIMENSIONS

A (mm)	460
L (mm)	30
L2 (mm)	105
H (mm)	40.0
I (mm)	48
B (mm)	2.0
C (mm)	15.0
D (mm)	11.0
S (mm)	0.0