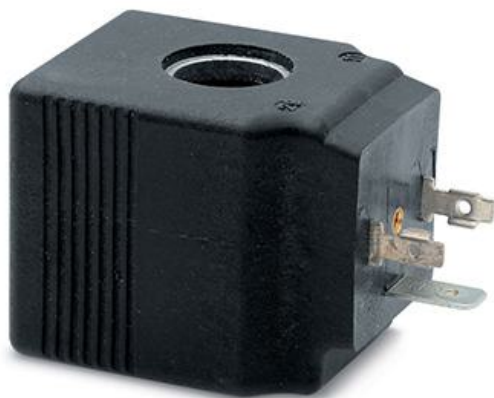


- Solenoids Mod. B9...

Product code: B93

Datasheet creation date: 10/03/2025 10:53

Check the most updated document online [click here](#)

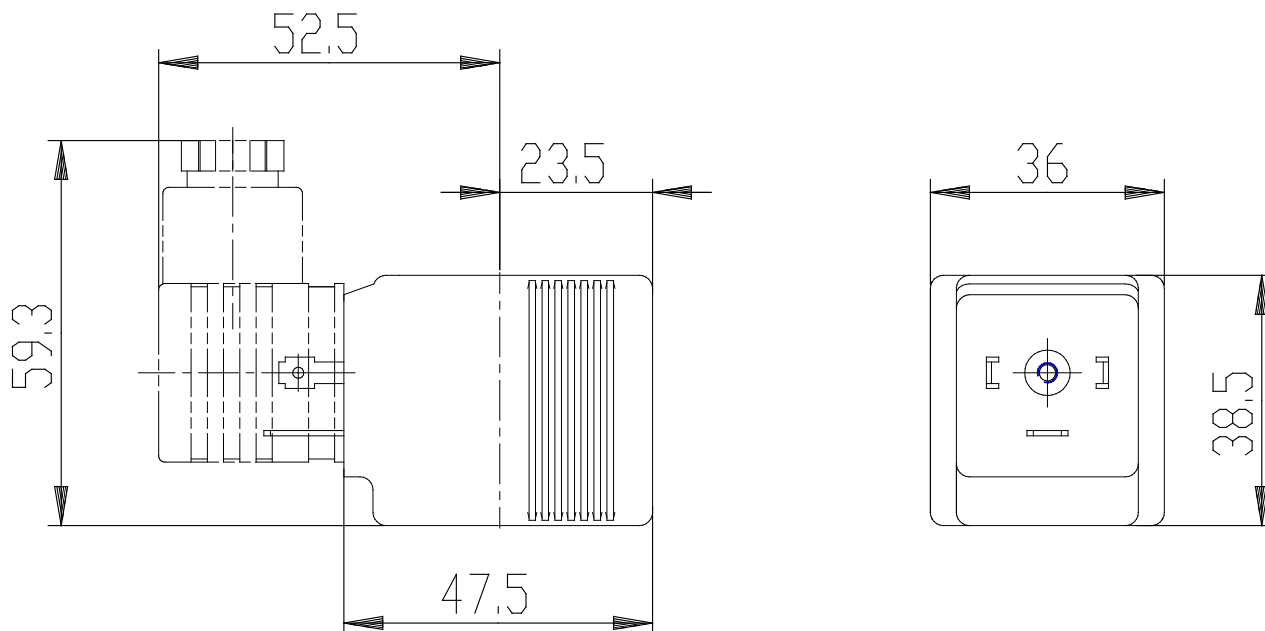


TECHNICAL DATA

Mod.	B93
Voltage (V)	24 V - DC
Power absorption	30W

- Solenoids Mod. B9...

Product code: B93



DIMENSIONS

Mod.	B93
Voltage (V)	24 V - DC
Power absorption	30W