

- Solenoids Mod. B9...

Product code: B9B

Datasheet creation date: 10/03/2025 10:53

Check the most updated document online [click here](#)

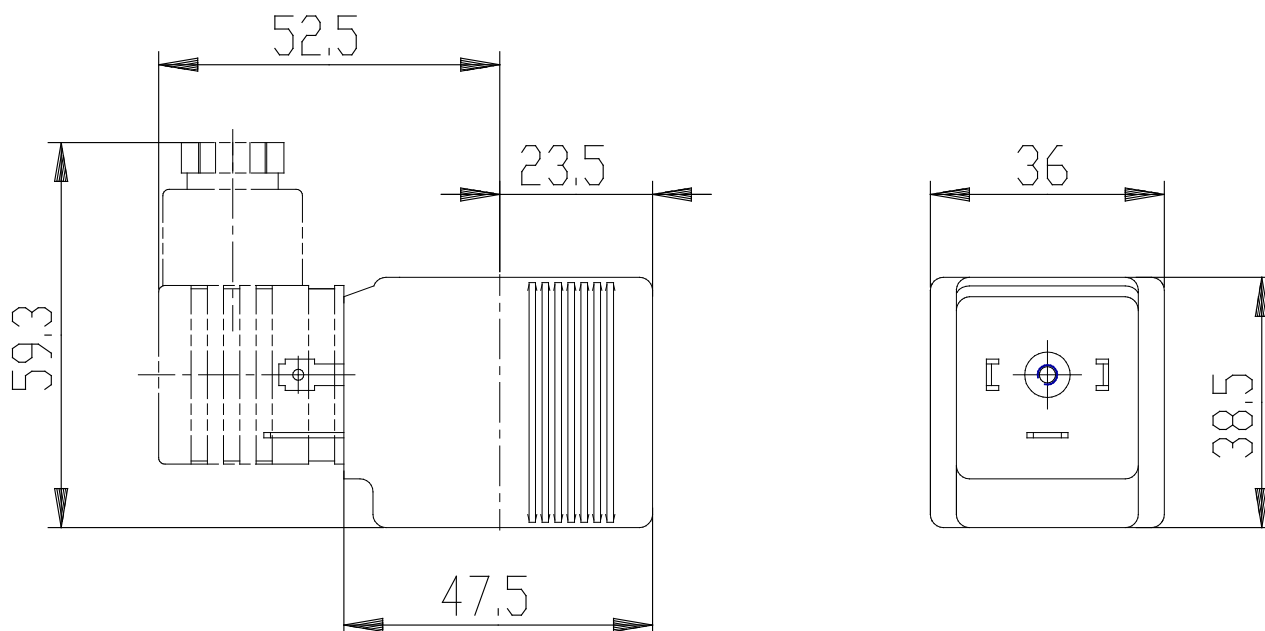


TECHNICAL DATA

Mod.	B9B
Voltage (V)	24 V - 50 Hz
Power absorption	29 VA

- Solenoids Mod. B9...

Product code: B9B



DIMENSIONS

Mod.	B9B
Voltage (V)	24 V - 50 Hz
Power absorption	29 VA