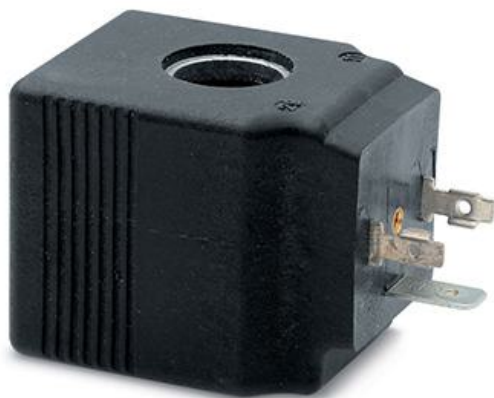


## - Solenoids Mod. B9...

Product code: B9D

Datasheet creation date: 10/03/2025 10:53

Check the most updated document online [click here](#)

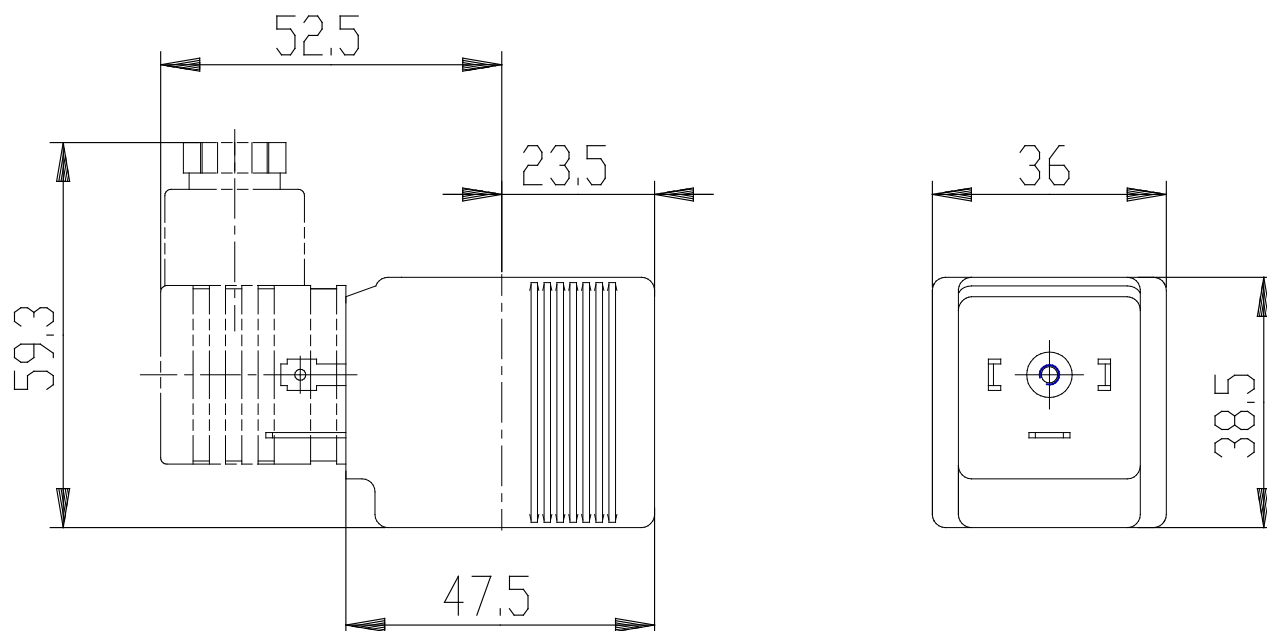


### TECHNICAL DATA

<b>Mod.</b>	B9D
<b>Voltage (V)</b>	110 V - 50/60 Hz
<b>Power absorption</b>	29 VA

## - Solenoids Mod. B9...

Product code: B9D



### ■ DIMENSIONS

<b>Mod.</b>	B9D
<b>Voltage (V)</b>	110 V - 50/60 Hz
<b>Power absorption</b>	29 VA