

## Foot mount (high) - Mod. BA-52

Product code: BA-52-40P

Datasheet creation date: 07/03/2025 16:00

Check the most updated document online [click here](#)

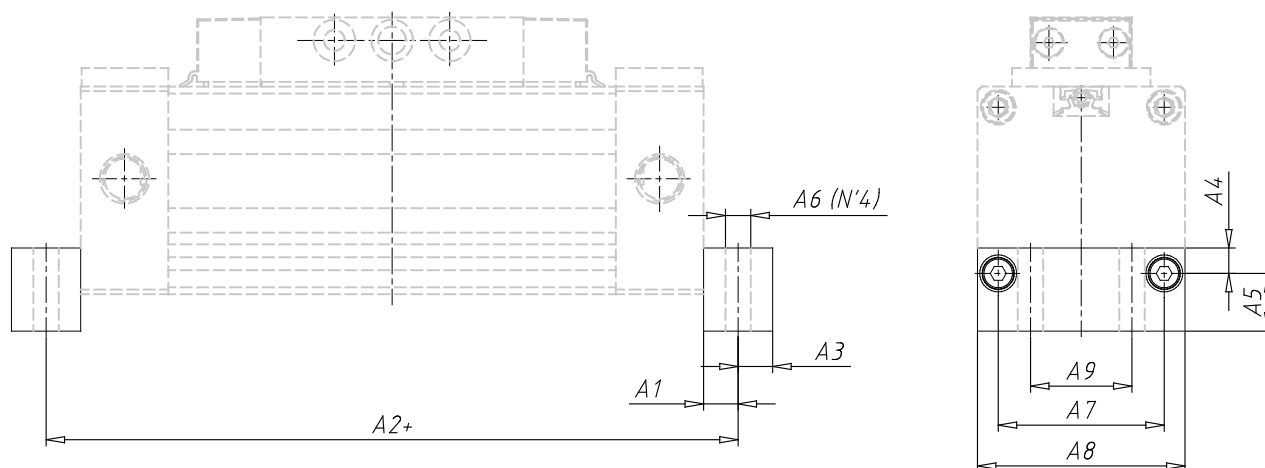


### TECHNICAL DATA

<b>Mod.</b>	BA-52-40
<b>Materials</b>	P = anodized AL profile tube, NBR and Polyurethane seals, standard carriage

## Foot mount (high) - Mod. BA-52

Product code: BA-52-40P



### DIMENSIONS

<b>A1 (mm)</b>	7.5
<b>A2 (mm)</b>	315
<b>A3 (mm)</b>	7.5
<b>A4 (mm)</b>	8.5
<b>A5 (mm)</b>	17.5
<b>Ø A6 (mm)</b>	9.0
<b>A7 (mm)</b>	49
<b>A8 (mm)</b>	64
<b>A9 (mm)</b>	25