

Foot mount (high) - Mod. BA-52

Product code: BA-52-63P

Datasheet creation date: 07/03/2025 16:00

Check the most updated document online [click here](#)

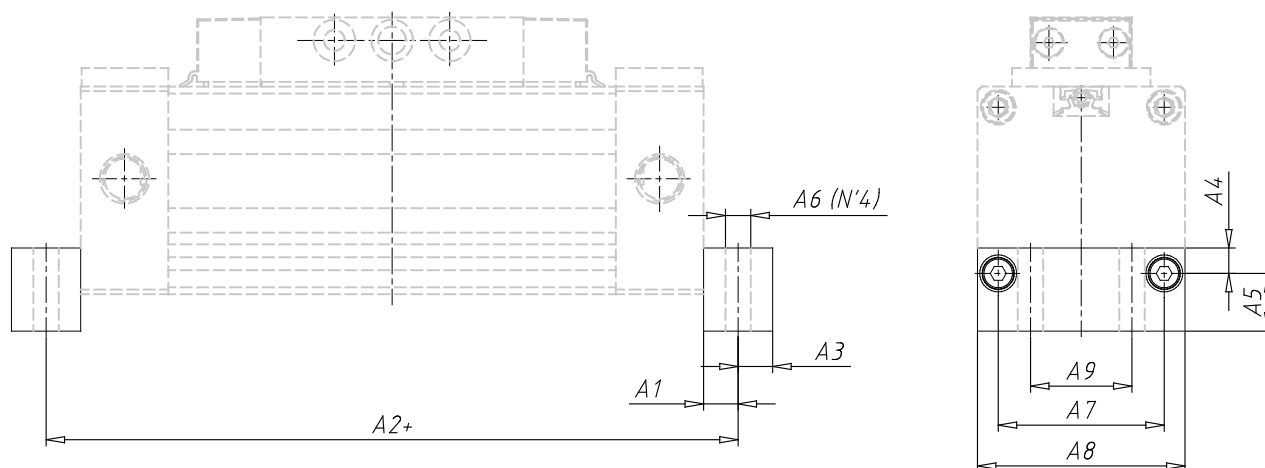


TECHNICAL DATA

Mod.	BA-52-63
Materials	P = anodized AL profile tube, NBR and Polyurethane seals, standard carriage

Foot mount (high) - Mod. BA-52

Product code: BA-52-63P



DIMENSIONS

A1 (mm)	7.5
A2 (mm)	415
A3 (mm)	7.5
A4 (mm)	11.0
A5 (mm)	29.0
Ø A6 (mm)	8.5
A7 (mm)	78
A8 (mm)	105
A9 (mm)	50