

Pressure booster - Series BPA

Product code: BPA-040-R2

Datasheet creation date: 07/03/2025 16:56

Check the most updated document online [click here](#)

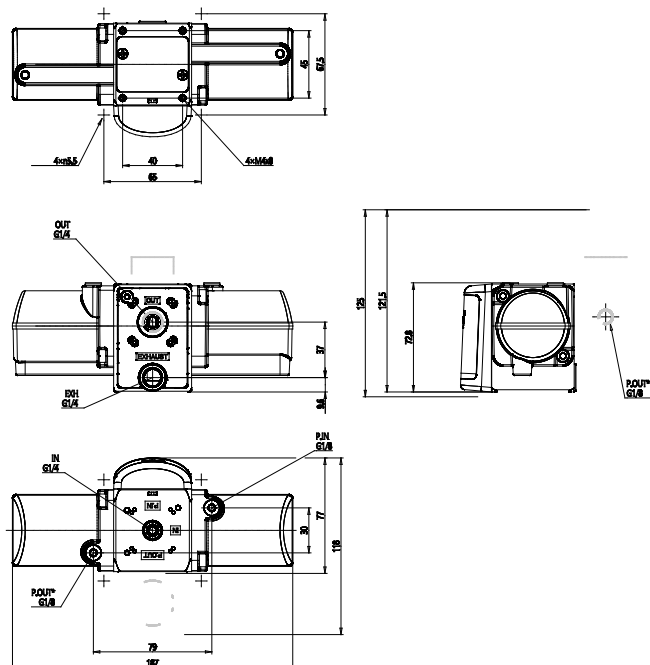


TECHNICAL DATA

Series	BPA
Size	040
Regulator	R2 = with regulator (P.IN 2-10bar - P.OUT 0-16bar)

Pressure booster - Series BPA

Product code: BPA-040-R2



DIMENSIONS

Series	BPA
Size	040
Regulator	R2 = with regulator (P.IN 2-10bar - P.OUT 0-16bar)