

## Pressure booster - Series BPA

Product code: BPA-100-R2

Datasheet creation date: 20/05/2026 08:17

Check the most updated document online [click here](#)

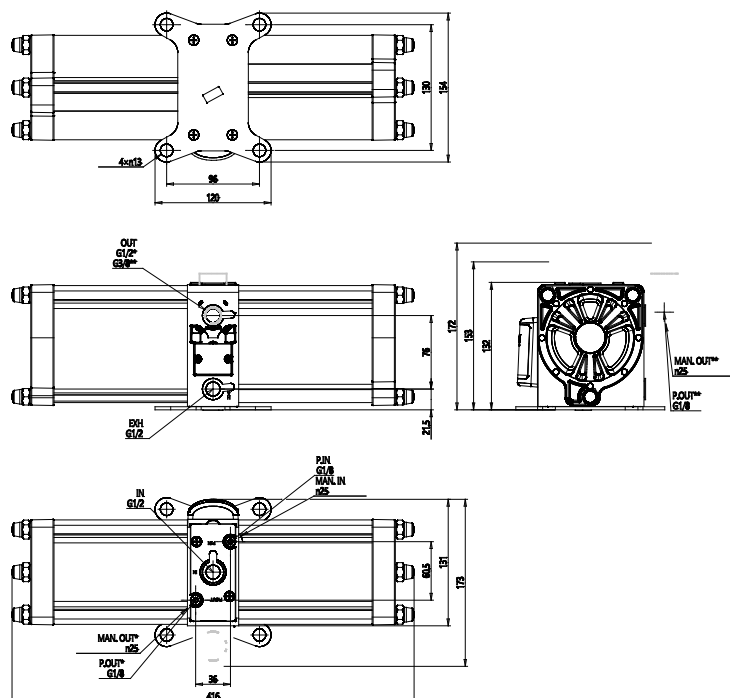


### TECHNICAL DATA

<b>Series</b>	BPA
<b>Size</b>	100
<b>Regulator</b>	R2 = with regulator (P.IN 2-10bar - P.OUT 0-16bar)

## Pressure booster - Series BPA

Product code: BPA-100-R2



### DIMENSIONS

<b>Series</b>	BPA
<b>Size</b>	100
<b>Regulator</b>	R2 = with regulator (P.IN 2-10bar - P.OUT 0-16bar)