

Pressure booster - Series BPA

Product code: BPA-100

Datasheet creation date: 20/05/2026 08:05

Check the most updated document online [click here](#)

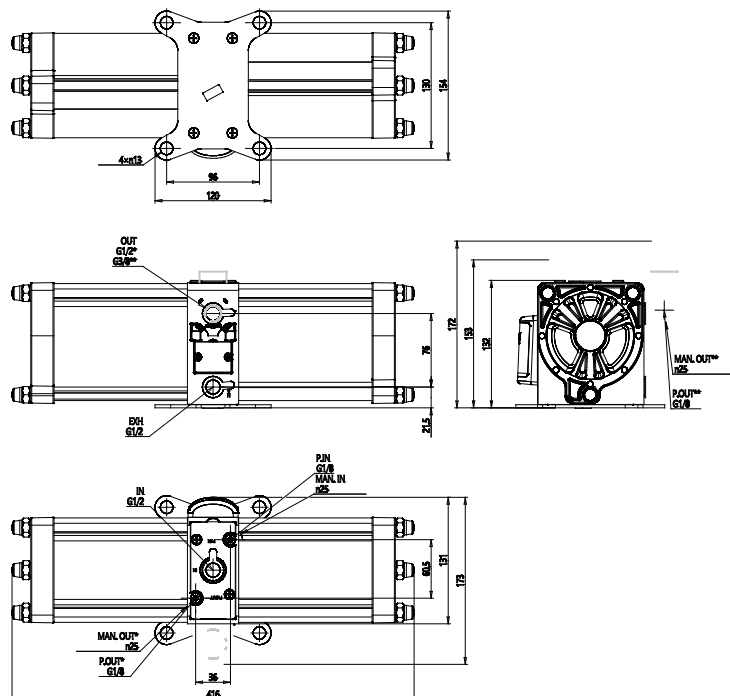


TECHNICAL DATA

Series	BPA
Size	100
Regulator	= without regulator

Pressure booster - Series BPA

Product code: BPA-100



DIMENSIONS

Series	BPA
Size	100
Regulator	= without regulator